

# BARBEQUE CART

With ProWood® Professional Grade pressure-treated lumber and balusters, you can make grilling easier with a barbecue cart that stores your utensils, charcoal and lighter fluid. And, the top of your cart provides a handy place to prep or set food while you grill.

## Materials

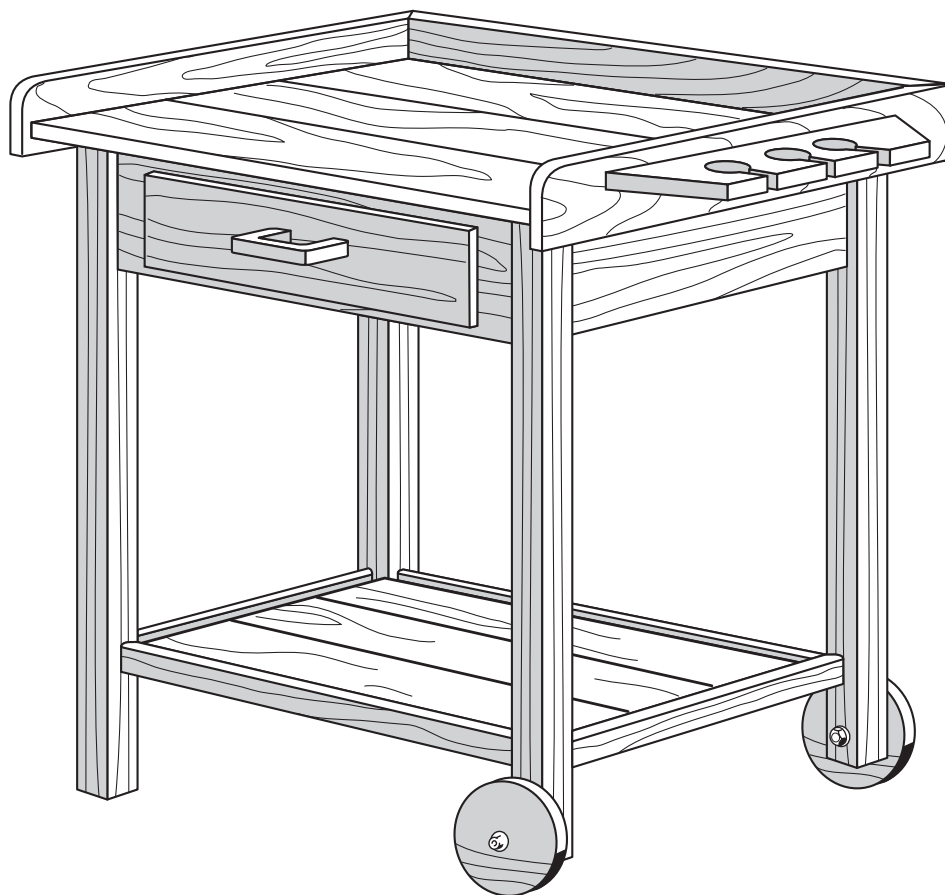
- Two 1" x 6" x 10' ProWood® pressure-treated boards or untreated wood
- One 1" x 8" x 10' ProWood® pressure-treated board or untreated wood
- One 1" x 4" x 10' ProWood® pressure-treated board or untreated wood
- One 1" x 2" x 10' ProWood® pressure-treated board or untreated wood
- Four 2" x 2" ProWood® pressure-treated square balusters
- One box 1-1/2" 4d galvanized nails
- One box 2" #6 galvanized all-purpose screws
- Two 1/4" x 2-3/4" galvanized bolts with nuts and three washers for each bolt (six total)

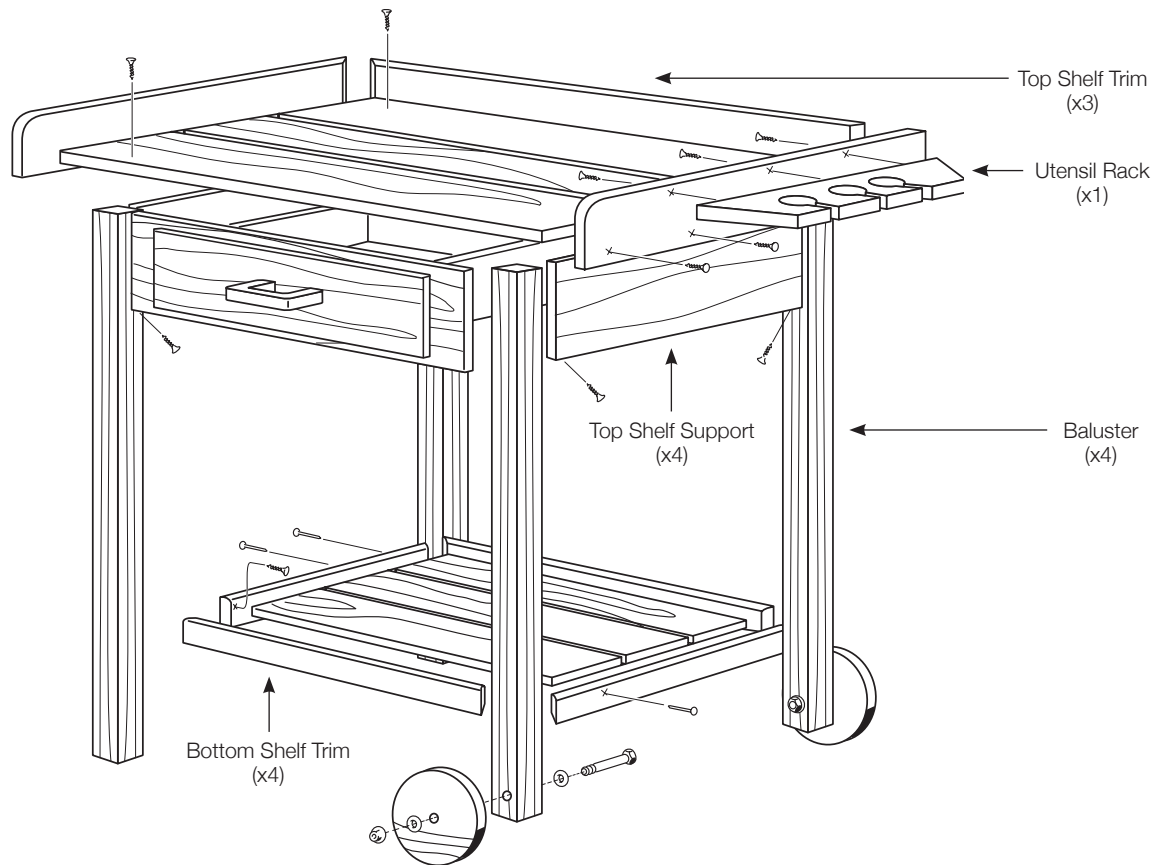
## For the Drawer

- One 1" x 4" x 8" ProWood® pressure-treated board or untreated wood
- One drawer handle

## Basic Tools

- Miter box or angle square for angle cuts
- Circular or table saw
- Jigsaw
- Drill and drill bit
- Tape measure
- Compass
- Hammer





## Cut the Lumber to Size

**Caution:** Always wear gloves, a dust mask and eye protection when sawing, sanding or machining wood.

See the illustration above to help identify the different pieces of wood you will need for the barbecue cart.

### Barbeque Stand

Using a circular or table saw on a clean, flat, level surface, cut the ProWood® pressure-treated wood for the components of the barbecue cart.

- Start by cutting a 1" x 6" x 10' ProWood® board into three 19-3/4" pieces for the bottom shelf and one 26" piece for the top shelf.
- Cut another 1" x 6" x 10' ProWood® board into two 15" pieces for the top shelf side supports and two 21" pieces for the top shelf front and back supports.
- Cut two 26" pieces for the top shelf from the 1" x 8" x 10' ProWood® board.
- Cut the 1" x 4" x 10' ProWood® board into two 21-3/4" pieces for the top shelf side trim and one 27-1/2" piece for the top shelf back trim.
- Cut the 1" x 2" x 10' ProWood® trim into two 21" pieces for the bottom shelf front and back trim and two 18-3/4" pieces for the bottom shelf side trim.
- Cut four 2" x 2" ProWood® square balusters to 30" tall.

## General Assembly Advice

- Establish a screw pattern to enhance the overall look and feel of the final assembled product.
- Pre-drill all screw holes to ease the insertion of screws into the wood and prevent splitting.
- Countersink all screws so the head of a countersunk screw, when screwed into the hole, will sit flush with or below the surface of the surrounding material.

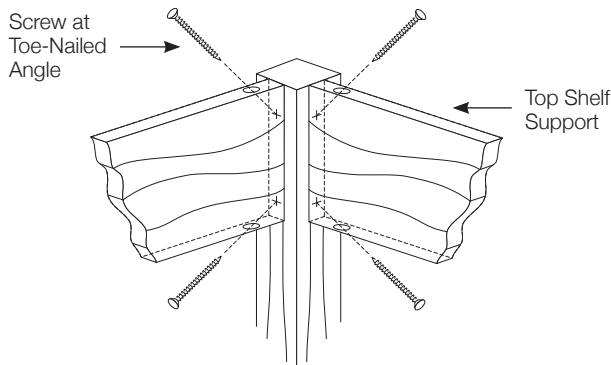


Fig. 1

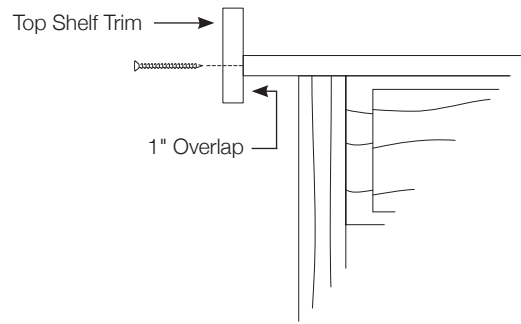


Fig. 2

### Build the Barbecue Cart Frame

Refer to Fig. 1 illustration above.

- Lay one 1" x 6" top shelf support piece on its 1" edge.
- Center the top of one 30" baluster along the 6" edge of the top shelf support piece to form one joint of the barbecue cart's frame. Make sure your work surface is flat.
- Screw the top shelf support to the baluster using a 2-1/2" #6 galvanized screw toe-nailed (at an angle) through the joint starting from the 1" edge of the 1" x 6" into the baluster. Use two screws per joint: one through the top edge and one through the bottom edge.
- Repeat this process with the three other top shelf support pieces and the three remaining balusters to form a rectangular box.

### Cut the Trim Angles

- All angles for the shelves' trim (both top and bottom) are 45-degree angles. They will meet to form 90-degree joints. Use a miter box or an angle square to mark and cut the angles. The angles will cut through the 1" side of the trim pieces. Experiment with scrap wood first to help you get the angles perfect for your project.

### Build the Bottom Shelf

- First, cut a 45-degree angle in both ends of all four bottom shelf trim boards. Be careful not to shorten the longest edge of the trim pieces.
- Lay the three 1" x 6" bottom shelf boards flush side-by-side so they form the bottom shelf.
- Use 1-1/2" 4d galvanized nails to attach the 18-3/4" side trim piece to the three bottom shelf boards. Place the bottom of the trim flush with the bottom of the shelf.
- Repeat this process to secure the remaining three bottom trim pieces to the bottom shelf.

### Build the Top Shelf

Refer to Fig. 2 illustration above.

- Cut a 45-degree angle in one end of both 21-3/4" top shelf side trim pieces.
- Also cut a 45-degree angle in both ends of the 27-1/2" top shelf back trim piece.
- Lay one 1" x 6" top shelf board between the two 1" x 8" top shelf boards to form the top shelf.
- Place the top trim side piece along the edge of the top shelf boards, leaving a 1" overlap under the bottom edge.
- Measure the overlap at both ends of the side trim piece to make sure it does not angle up or down. This overlap will serve as a handle for the barbecue cart.
- Use 2-1/2" #6 galvanized screws to attach the top trim pieces to the top shelf boards. Make sure the 45-degree angle cuts form 90-degree joints in the trim.

### Put on the Bottom Shelf

- Measure and mark 8" up from the bottom of each baluster leg.
- Use 1-1/2" #6 galvanized screws to attach the bottom shelf to the frame just above these markings.

### Put on the Top Shelf

- On the bottom side of the top shelf, measure in 2" from the front edge and draw a line parallel to the front edge.
- Place the top shelf on the frame and line up the front edge of the top shelf support piece with this line.
- Using 2-1/2" #6 galvanized screws, screw straight through the top shelf into each of the balusters.

## Cut the Utensil Rack

- Cut a 16" piece of 1" x 6".
- Mark and cut a 30-degree angle in both ends of the 1" x 6".
- Make three marks at 5", 8" and 11" along the 16" side of the 1" x 6".
- Measure in 3" from each mark and draw another mark on the 1" x 6".
- Using a wood auger drill bit or a jigsaw, cut a 1" diameter hole at each of these center markings.
- You will also need to cut a 1/4" path to the 1" hole from the shortened edge of the 1" x 6".

## Install the Utensil Rack

- Center the utensil rack on one of the top shelf side trim pieces (above the top shelf height to allow fastening).
- Using 2-1/2" #6 galvanized screws, screw through the top shelf side trim into the utensil rack.

## Make the Wheels

**Tip:** You can also use standard lawn mower wheels for the barbecue cart.

- Using a compass or a pencil on a length of string, draw a 6" diameter circle in a piece of 1" x 8".
- Cut this circle out using a jigsaw.
- Drill a hole in the center of the wheel for the 1/4" wide bolt that will attach it to the cart.
- Repeat this process to make the second wheel.

## Install the Wheels

- On the side of the barbecue cart with the utensil rack, cut 1" off the bottom of one baluster leg.
  - Center a wheel on the shortened baluster leg and extend it 1" past the bottom of the leg (to touch the ground).
  - Mark a dot through the drilled hole in the center of the wheel and drill through the shortened baluster leg.
  - Insert the 1/4" x 2-3/4" galvanized bolt through the wheel and the baluster and fasten it in place with a nut.
- Tip:** Place a washer between the wheel and the cart in order to reduce friction.
- Repeat this process to attach the second wheel.

## Add a Drawer

Using ProWood® pressure-treated wood, you can add more storage space to the barbecue cart by building a drawer.

- Cut an 18" piece of 1" x 6" for the front face of the drawer.
- Trim 1" off the width of this board to allow it to fit underneath the top shelf.
- Cut two 16-1/2" pieces and two 15" pieces of 1" x 4" for the sides, front and back pieces of the drawer.
- Cut two 15" pieces of 1" x 8" for the bottom of the drawer.

## Build the Drawer

- Place two 1" x 8" x 15" pieces next to each other.
- Nail the two 1" x 4" x 15" pieces to the cut edge of the 1" x 8" using 1-1/2" 4d galvanized nails. This will hold the drawer box together and create the front, back and bottom of the box.
- Screw the 1" x 4" x 16-1/2" to the sides of the drawer box, through each joint, and along the bottom edge of the drawer.
- Center the trimmed 1" x 6" cover board on the 1" x 4" x 15" front of the drawer.
- Screw the trimmed 1" x 6" cover board to the drawer. You may want to cover the screws with the drawer handle or use the drawer handle screws to attach the cover board.

## Cut the Drawer Opening

- Place the back of the drawer on the front top shelf support 1" x 6" and trace around it. Center it both side to side as well as up and down.
- Using a jigsaw, cut out an opening for the drawer using this traced box. The dimensions should be 16-1/2" wide by 3-1/2" tall.

## Insert the Drawer

- Measure the distance between the front and back top shelf supports from underneath the top shelf.
- Cut a piece of 1" x 2" ProWood® board to that length.
- Center and screw the 1" x 2" between the front and back shelf supports as a runner for the drawer.
- Insert the drawer into the opening.
- From underneath the drawer, while it is in place, attach two 1" x 2" x 2" pieces to the drawer on either side of the runner. These pieces will keep the drawer on track and prevent it from sliding out of the barbecue cart.

Clean, odorless, nonstaining and nonirritating, ProWood MCA (micronized copper azole) treated lumber is safe for humans, animals and the environment. The process we use to treat has gained Environmentally Preferable Product (EPP) status as certified by Scientific Certification Systems (SCS), a third-party certification services and standards development company. The preservative in ProWood MCA treated lumber has earned NAHB's Green Approved Product Certification and the GREENGUARD Children & Schools Certification.



This document is for illustration purposes only. Use of this product must be in accordance with all local zoning and/or building codes. Consumer assumes all risks and liability associated with the use of this product. For details on safe handling, go to [UFPI.com/ptinfo](http://UFPI.com/ptinfo). Warrantor does not provide any warranty, either express or implied, and shall not be liable for any damages, including consequential damages. 7094 10/31