



ProWood® Project Plan

# OUTDOOR PINE TREES

## Purchased Materials:

- (6) 2" x 4" x 8' ProWood® ground-contact rated lumber
- (6) 1" x 6" x 8' ProWood® deck boards
- (1) Box of #8 x 2" exterior wood screws
- (1) Box of #8 x 2-1/2" exterior wood screws

## Optional:

- Water sealer

## Basic Tools:

- Tape measure
- Carpenter square
- Circular or miter saw
- 3/16" drill bit (for pre-drilling)
- Power drill with screw driving bit

## Optional:

- Impact driver
- Sander or sandpaper (for removing ink stamps on lumber)



**pro**wood®

If your wood project touches or comes near the ground, use pressure-treated lumber that is rated for ground contact to ensure long-term performance.

### Cut Wood to Size

Caution: Always wear gloves, a dust mask and eye protection when sawing, sanding or machining wood. Always use a circular, miter saw or table saw on a clean, flat and level surface.

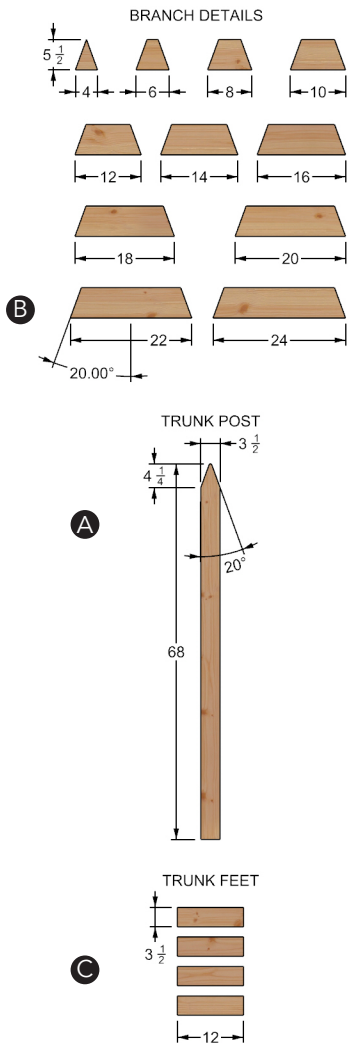
We recommend only cutting lumber for each sections as you assemble. To save on material, measure and cut previously cut lumber rather than continually cutting from a new board. Lumber has both nominal and actual dimensions, meaning your 2" x 4" boards or 1" x 5-1/2" board may actually be a slightly different size.

### General Assembly Tips

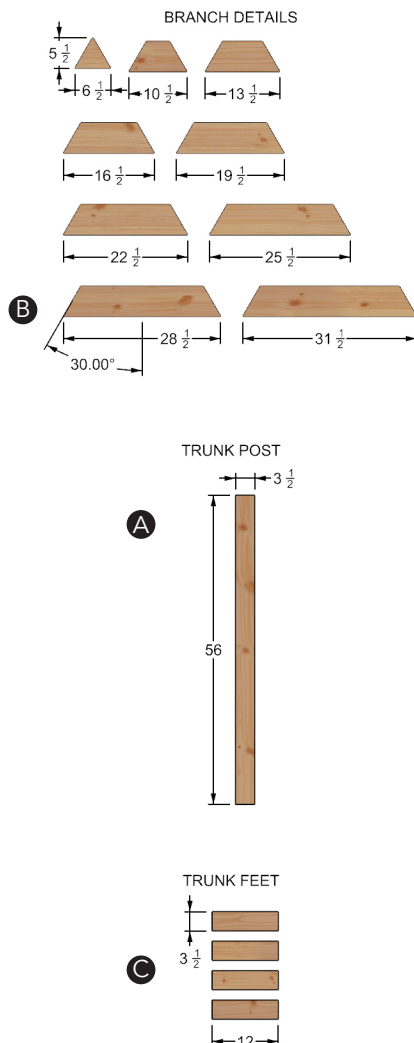
- Establish a screw pattern to enhance the overall look and feel of the final assembled product.
- Pre-drill all screw holes with a drill bit to ease screw insertion and prevent wood splitting.
- Countersink all screws so the head of a countersunk screw, when placed in the hole, will sit flush with the surface of the surrounding material.

| ITEM NO. | NAME       | QTY. | DESCRIPTION                    |
|----------|------------|------|--------------------------------|
| A        | Trunk Post | 3    | Refer to Cut List Below        |
| B        | Branches   | 27   | Refer to Cut List Below        |
| C        | Trunk Feet | 12   | 3-1/2" x 2" x 12"              |
| D        | Fasteners  | -    | #8 2" Exterior Wood Screws     |
| E        | Fasteners  | -    | #8 2-1/2" Exterior Wood Screws |

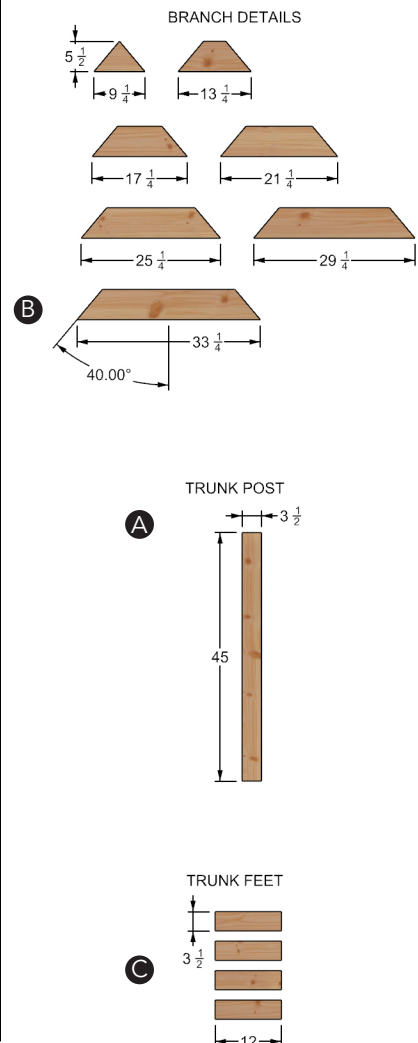
#### 4' - 20° Design Shown



#### 5' - 30° Design Shown



#### 6' - 40° Design Shown



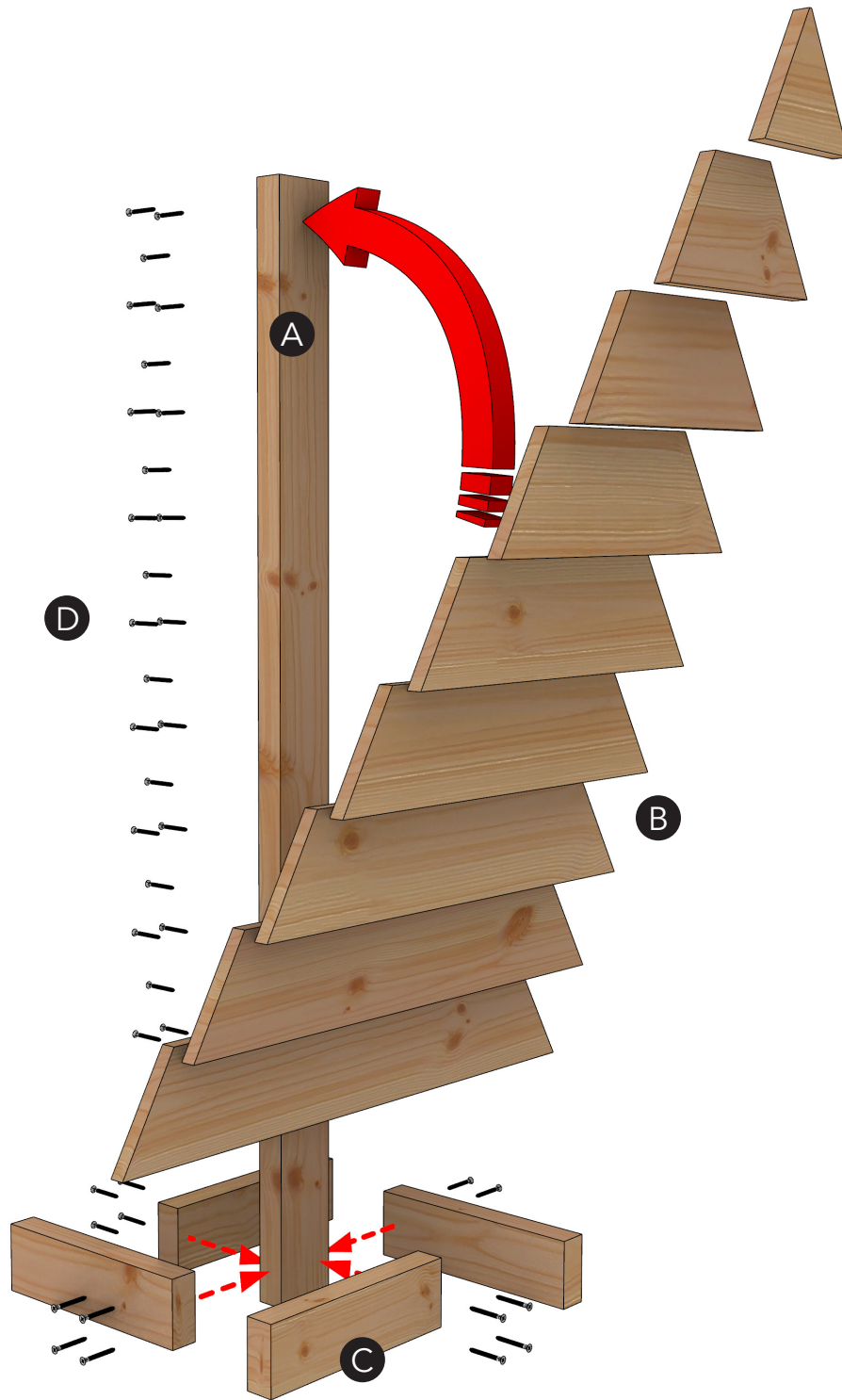


fig. 1

For detailed dimensions, refer to page 6.

## STEP 1

Place and Fasten Boards

See fig. 2, 3, 4, 5 and 6.

- Place and align the centers of each of your (B) branch boards on a flat, level surface.
- Place and center your (A) trunk board on top.
- Pre-drill your (A) trunk board, three holes per underlying (B) board. Fasten with (D) fasteners.
- Once the tree portion is fully assembled, pre-drill and fasten your (C) trunk foot boards to (A) post using (E) fasteners.



fig. 2



This document is for illustration purposes only. Use of this product must be in accordance with all local zoning and/or building codes. Consumer assumes all risks and liability associated with the use of this product. For details on safe handling, go to [UFPI.com/ptinfo](http://UFPI.com/ptinfo). Warrantor does not provide any warranty, either express or implied, and shall not be liable for any damages, including consequential damages. 7094 06/14

More plans available at [www.prowoodlumber.com](http://www.prowoodlumber.com)

ProWood is a registered trademark of UFP Industries Inc., in the U.S. ©2021 UFP Industries. All rights reserved.

# STEP 1

