

## SECTION 06 05 73.13

### FIRE RETARDANT WOOD TREATMENT

#### PART 1 GENERAL

##### 1.1 SECTION INCLUDES

- A. Fire retardant pressure treatment of lumber and plywood.

##### 1.2 RELATED SECTIONS:

- A. Section 06 11 00 – Rough Carpentry.
- B. Section 06 15 00 – Wood Decking.
- C. Section 06 20 00 – Exterior Finish Carpentry.

##### 1.3 SUBMITTALS

- A. Submit in accordance with requirements of Section 01 30 00 - Administrative Requirements.
- B. Product Data: For each product specified include the following:
  - 1. Manufacturer's technical product data, including component descriptions, construction details, and test results showing compliance with specified performance criteria.
  - 2. Manufacturer's surface preparation and installation instructions.
  - 3. Safety Data Sheets (SDS).
- C. Sustainability Submittals:
  - 1. Product Data: For recycled content, indicated pre-consumer recycled content and cost.
- D. Verification Samples: Provide two samples of specified board, full board width by minimum 4 inches in length, including the selected color and finish.
- E. Informational Submittals:
  - 1. Installer qualifications.
  - 2. Product test reports.
  - 3. Sample warranties.
- F. Closeout Submittals:
  - 1. Maintenance data for installed system.

##### 1.4 QUALITY ASSURANCE

- A. Installer's Qualifications: An entity with demonstrated experience installing systems similar in scope and complexity to those specified.
- B. Mock-Up: Arrange for the construction of a mock-up of the products specified in this section. Example must include one section for each type specified, including the selected color and finish. Owner and Architect will verify acceptance of products and workmanship.
  - 1. Accepted mockups may be incorporated into the work.
  - 2. Provide mockups as indicated on the drawings.

#### 1.5 DELIVERY, STORAGE AND HANDLING

- A. Deliver, store and handle materials and products in accordance with the manufacturer's instructions and recommendations and industry standards.
- B. Store all materials in the manufacturer's original packaging until ready for installation. Protect all products from damage or exposure to adverse weather conditions.
  - 1. Store products in shaded or cool location.
  - 2. Ensure products are elevated from the soil and protected from moisture and precipitation.

#### 1.6 PROJECT CONDITIONS

- A. Schedule work around the ambient conditions required by the manufacturer. Do not perform work outside manufacturer's recommended limits for environmental conditions.
- B. Prior to fabrication, verify that dimensions are consistent with those found in the construction drawings. Where discrepancies exist, confirm the proper dimensions with the Architect before proceeding with work.

#### 1.7 WARRANTY

- A. Warranty on Fire retardant pressure treatment of lumber and plywood: Manufacturer agrees to replace any materials determined to structurally fail, due to the fire-retardant chemical in the product, beyond the reasonable cost of repair of the damaged portion of the structure incorporating the product within the specified warranty period.
  - 1. Limited Warranty Period: 50 years prorated from date of purchase.

### PART 2 PRODUCTS

#### 2.1 MANUFACTURERS

- A. Basis of Design Manufacturer: ProWood, a brand of UFP Retail Solutions
  - 1. Address: 2801 East Beltline NE, Grand Rapids, MI 49525.
  - 2. Phone: (800) 598-9663
  - 3. Website: [www.prowoodlumber.com](http://www.prowoodlumber.com)

- B. Manufacturer List:
  - 1. Manufacturer:
- C. Substitution Limitations:
  - 1. Submit substitution requests in accordance with provisions of Section 01 60 00.
  - 2. Single manufacturer to provide, from a single source, primary products and accessories specified in this section.

## 2.2 PERFORMANCE REQUIREMENTS:

- A. Physical Performance: Provide Fire Retardant pressure treated lumber and plywood in accordance with ESR 4373.
  - 1. Pressure-treated fire-retardant wood shall be kiln dried after treatment (KDAT). The kiln drying process is monitored by Timber Products (TP), or Southern Pine Inspection Bureau (SPIB).
  - 2. Structural performance of pressure-treated fire-retardant wood has been tested in accordance with ASTM D5564 for lumber and ASTM D5516 for plywood. Evaluation of plywood data is in accordance with ASTM D3201. Evaluation of lumber data is in accordance with ASTM D6305. The resulting design value and span rating adjustments are published in ICC ESR-4373, which includes evaluation of high temperature (HT) strength testing for roof applications.
  - 3. Pressure-treated fire-retardant wood to comply with AWPA U1 and UCFA use category systems.
  - 4. Pressure-treated fire-retardant wood treatment process meets the AWPA T1 and AWPA P50 formulations standards.
- B. Surface-Burning Characteristics: Meet the following values when tested in accordance with ASTM E84:
  - 1. Class A Flame-Spread Index: 25.
    - a. Provide Fire Retardant pressure treated lumber and plywood that meets UL FR-S classification when tested in accordance with IBC section 2303.2.
- C. Sustainability Performance:
  - 1. Low Chemical emission Certification: Provide Fire retardant treatment for wood that do not contain VOC's, urea formaldehyde or formaldehyde, halogens, sulfates, or chlorides.
    - a. Green Guard GOLD Compliance: Fabricate and Plywood and lumber in accordance with Green Guard GOLD certification and testing requirements.

## 2.3 MATERIALS

- A. Dimension Lumber: As specified in Section 06 10 00 - Rough Carpentry.
- B. Structural Plywood: As specified in Section 06 10 00 - Rough Carpentry.

- C. Finish Lumber and Plywood: As specified in Section 06 20 00 - Finish Carpentry.
- D. Fasteners and Metal Hardware: Provide corrosion resistant steel fasteners with hot-dip zinc coating per ASTM A153/A153M, provide corrosion resistant hardware per ASTM A653 / A653M in compliance with building code requirements.
  - 1. Use only code approved fasteners as specified in ICC-ES ESR 2645. Fasteners must be galvanized steel, stainless steel, silicon bronze or copper, in accordance with 2009 and 2006 IBC Section 2304.9.5, 2009 IRC Section R317.3 or 2006 IRC Section R319.3

## 2.4 FIRE RETARDANT PRESSURE TREATMENT OF LUMBER AND PLYWOOD

- A. Fire retardant treatment for wood, including roof and floor trusses, roof decks and sheathing; subflooring, beams and purlins, blocking and furring, studs, joists and paneling, architectural millwork and trim, interior non-load bearing partitions and exterior load-bearing walls.
  - 1. Basis of Design Product: ProWood FR, by ProWood, a brand of UFP Retail Solutions
  - 2. Physical Characteristics:
    - a. Lumber: Comply with AWPA U1 UCFA, Type A or ICC-ES ESR 4373.
    - b. Plywood: Comply with AWPA U1, UCFA, Type A or ICC-ES ESR 4373.
    - c. Treatment: ProWood FR manufactured by UFP Industries and will be carried out at qualified locations in accordance with ICC-ES Evaluation report ESR-4373.
    - d. Kiln dry after treatment to 19 percent maximum moisture content for lumber and 15 percent for plywood.
    - e. Treat wood for use in the following applications:
      - 1) Roof and floor trusses.
      - 2) Roof decks and sheathing.
      - 3) Subflooring.
      - 4) Beams and purlins.
      - 5) Interior non-load bearing partitions.
      - 6) Studs and joists.
      - 7) Exterior load-bearing walls protected by weather barrier.
      - 8) Millwork and trim.

## PART 3 EXECUTION

### 3.1 EXAMINATION

- A. Examine substrates and conditions, with installer present, for compliance with requirements for installation tolerances and other conditions affecting performance of the work.
- B. Proceed with installation only after unsatisfactory conditions have been corrected.

### 3.2 PREPARATION

- A. General: Comply with manufacturer's printed installation instructions, clean substrates of projections and substances detrimental to application.

### 3.3 INSTALLATION

- A. General: Install in accordance with manufacturer's current installation instructions, industry recognized best practices, all code bodies having jurisdiction, and approved shop drawings.
  - 1. Do not install damaged products.
  - 2. Refer to manufacturer's published technical data for expansion and contraction due to changes in temperature.
- B. As with untreated wood, avoid exposure to precipitation during shipping, storage or installation. Apply a water resistive barrier or underlayment over dry sheathing as soon as practical to avoid precipitation on the panel. Panels that get wet should be allowed to dry before covering or be replaced.
  - 1. Ensure that pressure-treated fire-retardant wood shall not in areas where, in service, it is exposed to precipitation, direct wetting, or condensation.
- C. Pressure-treated fire-retardant wood shall be installed in compliance with the requirements of the applicable building codes and product recommendations.
  - 1. Pressure-treated fire-retardant wood used in structural applications shall be installed in accordance with the conditions and limitations listed in ICC ESR-4373.

### 3.4 CLEANING AND PROTECTION

- A. Clean and remove all stains, grime, or other soils using manufacturer's recommended methods. Only use materials and methods approved by the manufacturer for use on the finishes specified.
- A. Damaged products must be repaired or replaced prior to substantial completion.
- B. Protect installed products until completion of work specified in this section.

END OF SECTION 060573

# ICC-ES Evaluation Report

**ESR-4373**

Reissued February 2024

This report also contains:

- CBC Supplement



Subject to renewal February 2026

- FBC Supplement

ICC-ES Evaluation Reports are not to be construed as representing aesthetics or any other attributes not specifically addressed, nor are they to be construed as an endorsement of the subject of the report or a recommendation for its use. There is no warranty by ICC Evaluation Service, LLC, express or implied, as to any finding or other matter in this report, or as to any product covered by the report.



Copyright © 2024 ICC Evaluation Service, LLC. All rights reserved.

<p><b>DIVISION: 06 00 00—</b> <b>WOOD, PLASTICS AND COMPOSITES</b></p> <p><b>Section: 06 05 73.13—</b> <b>Fire-Retardant Wood Treatment</b></p>	<p><b>REPORT HOLDER:</b> <b>PROWOOD, LLC</b></p> 	<p><b>EVALUATION SUBJECT:</b> <b>PROWOOD® FR FIRE-RETARDANT-TREATED WOOD</b></p>	
---	--	--	---

## 1.0 EVALUATION SCOPE

**Compliance with the following codes:**

- 2021, 2018, 2015, 2012, 2009 and 2006 [International Building Code® \(IBC\)](#)
- 2021, 2018, 2015, 2012, 2009 and 2006 [International Residential Code \(IRC\)](#)

**Properties evaluated:**

- Flame spread
- Structural
- Corrosion
- Hygroscopicity
- Fire-resistance-rated Wall Assemblies

## 2.0 USES

ProWood® FR fire-retardant-treated wood is used in areas that are not exposed to the weather or wetting, but may be exposed to dampness where the code permits the use of wood or fire-retardant-treated wood.

## 3.0 DESCRIPTION

### 3.1 General:

ProWood® FR fire-retardant-treated wood is lumber and plywood impregnated with ProWood® FR fire-retardant chemicals by a pressure process.

ProWood® FR treatment of lumber of the following species is identified as being fire retardant:

Southern Pine	Red Pine
Douglas Fir	Ponderosa Pine
Western Hemlock	White Fir
Alpine Fir	Hem Fir
Lodgepole Pine	Balsam Fir
White Spruce	Jack Pine
Spruce-Pine-Fir	Engelmann Spruce
Red Spruce	Black Spruce

ProWood® FR treatment of plywood fabricated with face and back veneers of the following species is identified as being fire retardant:

Douglas Fir                      Southern Pine

### 3.2 Flame Spread:

ProWood® FR fire-retardant-treated wood has a flame-spread index of 25 or less when subjected to ASTM E84 tests in accordance with IBC Section 2303.2 and 2021 IBC Section 2303.2.3 and shows no evidence of significant progressive combustion when the tests are continued for an additional 20-minute period.

### 3.3 Structural Strength and Durability:

The effects of ProWood® FR fire-retardant treatment on the strength of the treated lumber and plywood must be accounted for in the design of the wood members and their connections as required by this section. Load duration factors greater than 1.6 are not permitted to be used in the design.

The strength properties of lumber when treated with ProWood® FR fire-retardant chemicals and used in applications at ambient temperatures up to 150°F (66°C), are subject to the design factors shown in [Tables 1](#) and [2](#) of this report.

The strength properties of plywood, when treated with ProWood® FR fire-retardant chemicals and used in applications at temperatures up to 170°F (77°C), are subject to the span limitations shown in [Table 3](#) of this report.

### 3.4 Corrosion:

The corrosion rate of aluminum, carbon steel, galvanized steel, stainless steel, copper or red brass in contact with wood is not increased by ProWood® FR fire-retardant treatment when the product is used as recommended by the manufacturer.

### 3.5 Hygroscopicity:

ProWood® FR treated wood qualifies as an Interior Type A (HT) fire-retardant wood in accordance with the American Wood Protection Association (AWPA) Standard U1, Commodity Specification H, Use Category UCFA.

## 4.0 DESIGN AND INSTALLATION

### 4.1 General:

Structural systems that include ProWood® FR fire-retardant-treated lumber or plywood must be designed and installed in accordance with the applicable code using the appropriate lumber design value adjustment factors and plywood spans from [Tables 1](#), [2](#) and [3](#) of this report. Ventilation must be provided in accordance with the applicable codes.

The design value adjustment factors and plywood load and spans in [Tables 1](#), [2](#) and [3](#) of this report are applicable under elevated temperatures resulting from cyclic climatic conditions. They are not applicable under continuous elevated temperatures resulting from manufacturing or other processes that require special consideration in design.

The treated lumber and plywood must only be used in areas (including attic spaces) where the lumber is exposed to temperatures of 150°F (66°C) or less and the plywood is exposed to temperatures of 170°F (76.5°C) or less.

Exposure to precipitation during storage or installation must be avoided. If material does become wet, it must be replaced or permitted to dry (maximum 19 percent moisture content for lumber and 15 percent moisture content for plywood) prior to covering or enclosure by wallboard or other construction materials.

### 4.2 Fasteners:

Fasteners used in ProWood® FR fire-retardant-treated wood must be galvanized steel, stainless steel, silicon bronze or copper, in accordance with 2021, 2018 and 2015 Section 2304.10.5 (2012, 2009 and 2006 IBC Section 2304.9.5) and 2021, 2018, 2015, 2012 and 2009 IRC Section 317.3.4 (2006 IRC Section R319.3), and must be subject to the design value adjustments indicated in [Table 1](#) of this report.

**4.3 Use as a Component of Fire-resistance-rated Wall Assemblies:** In Type III, Type IV and Type V construction, the exterior wall assemblies may be constructed of ProWood® FR treated wood studs and plywood. The design values for the studs must be adjusted in accordance with [Tables 1](#) and [2](#). The allowable spans for the plywood sheathing must be in accordance with the spans given in [Table 3](#) for ProWood® FR Wall/Subfloor.

**4.3.1 One-hour Exterior Wall Assembly:** [Figure 2](#) presents a 1 Hour Load Bearing Wall rated from the interior side only; [Figure 3](#) presents a 1 Hour Load Bearing Wall rated from both interior side and the exterior side. When fire resistance rating is required from both sides, the wall must be in accordance with [Figure 3](#).

**4.3.2 Two-hour Exterior Wall Assembly:** [Figure 4](#) presents a 2 Hour Load Bearing Wall rated from the interior side only; [Figure 5](#) presents a 2 Hour Load Bearing Wall rated from interior side and which also carries a 1-hour rating from the exterior side. When fire resistance rating is required from both sides, the wall must be in accordance with [Figure 5](#).

**4.4 Plywood Diaphragms and Shear Walls:**

Wood-frame diaphragms and shear walls must be constructed in accordance with 2021, 2018, 2015 and 2012 IBC Sections 2306.2 and 2306.3 (2009 and 2006 IBC Sections 2306.3 and 2306.4), respectively.

When ProWood® fire-retardant-treated plywood is used in a diaphragm or shear wall, the panel thickness must be increased by 1/8 inch (3.18 mm) than that determined for the allowable shear values in Sections 4.2 or 4.3 of ANSI/AWC Special Design Provisions for Wind and Seismic (SDPWS) or as shown in the tables referenced in 2021, 2018, 2015 and 2012 IBC Section 2306.2 or 2306.3 (2009 and 2006 IBC Section 2306.3 or 2306.4). Thickness to be used for FRT plywood compared to untreated plywood in diaphragm and shear walls are shown as follows:

ProWood® FRT Plywood Thickness (inches)	Untreated Plywood Thickness (inches)
19/32	7/16
19/32	15/32
5/8	1/2
23/32	19/32
3/4	5/8
7/8	23/32
7/8	3/4

**5.0 CONDITIONS OF USE:**

The ProWood® FR fire-retardant-treated wood described in this report complies with, or is a suitable alternative to what is specified in, those codes listed in Section 1.0 of this report, subject to the following conditions:

- 5.1 Strength calculations must be subject to the design factors or span ratings shown in [Tables 1, 2](#) and [3](#) of this report.
- 5.2 The design value adjustment factors and span ratings given in this report must only be used for unincised dimension lumber and plywood of the species noted in this report.
- 5.3 ProWood® FR treated wood must not be installed where it will be exposed to precipitation, direct wetting or regular condensation.
- 5.4 ProWood® FR treated wood must not be used in contact with the ground.
- 5.5 ProWood® FR lumber must not be ripped or milled as this will alter the surface-burning characteristics and invalidate the flame spread classification. Wall, floor and roof framing, consisting of end cuts, holes, joints such as tongue and groove, bevel, scarf, and lap, may be used.
- 5.6 Treatment is at the facilities of the listees noted in this report under a quality control program with inspections by ICC-ES and UL, FR-S, Timber Products Inspection, Inc. (AA-696) or Southern Pine Inspection Bureau (AA-680).

**6.0 EVIDENCE SUBMITTED**

Data in accordance with the [ICC-ES Acceptance Criteria for Fire-retardant-treated Wood \(AC66\)](#), dated June 2015, (editorially revised July 2022).

**7.0 IDENTIFICATION**

- 7.1 Lumber and plywood treated with ProWood® FR fire-retardant chemicals must be identified by the structural grade mark of an approved agency. In addition, all treated lumber and plywood must be stamped with the name of the inspection agency [Underwriters Laboratory FR-S, Timber Products Inspection, Inc. (AA-696)



or Southern Pine Inspection Bureau (AA-680)]; Universal Forest Products, name and location; the production plant identification name and location; labeling information in accordance with 2021, 2018, 2015, 2012 and 2009 IBC Section 2303.2.4 (2006 IBC Section 2303.2.1) or 2021, 2018 and 2015 IRC Section R802.1.5.4 [2012 and 2009 IRC Section R802.1.3.4 (2006 IRC Section R802.1.3.1)]; and the evaluation report number (ESR-4373). Refer to [Figure 1](#).

7.2 The report holder’s contact information is the following:

**PROWOOD, LLC**  
**2801 EAST BELTLINE NE**  
**GRAND RAPIDS, MICHIGAN 49525**  
**(616) 364-2060**  
[www.ufpi.com](http://www.ufpi.com)

7.3 The Manufacturing Locations’ contact information is the following:

**SUNBELT FOREST PRODUCTS**  
**19560 HIGHWAY 127 NORTH**  
**ATHENS, ALABAMA 35614**  
**(256) 278-3211**  
[rmayhall@sunbeltfp.com](mailto:rmayhall@sunbeltfp.com)

**UFP HAMILTON, LLC**  
**115 DISTRIBUTION DRIVE**  
**HAMILTON, OHIO 45015**  
**(513) 285-7190**  
[fufkesjr@ufpi.com](mailto:fufkesjr@ufpi.com)

**UFP MOULTRIE, LLC**  
**560 INDUSTRIAL DRIVE**  
**MOULTRIE, GEORGIA 31788**

**UFP SAGINAW, LLC**  
**444 SANSOM BOULEVARD**  
**SAGINAW, TEXAS 76479**  
[mnewsom@ufpi.com](mailto:mnewsom@ufpi.com)

**UFP WINDSOR, LLC**  
**15 EAST WALNUT STREET**  
**WINDSOR, COLORADO 80550**

**TABLE 1—STRENGTH DESIGN FACTORS FOR PROWOOD® FR FIRE RETARDANT TREATED LUMBER COMPARED TO UNTREATED LUMBER APPLICABLE AT SERVICE TEMPERATURES UP TO 100°F (38°C)**

STRENGTH DESIGN FACTORS	SOUTHERN PINE	DOUGLAS FIR	SPRUCE-PINE-FIR	OTHER SPECIES
Modulus of Rupture (MOR), [F <sub>b</sub> ]	0.82	1.00	0.95	0.82
Modulus of Elasticity (MOE), [E]	0.87	1.00	0.94	0.87
Work to Maximum Load (WML)	0.72	0.93	0.90	0.72
Ultimate Tensile Strength (UTS), [F <sub>t</sub> ]	0.99	1.00	0.98	0.98
Maximum Compressive Strength (MCS), [F <sub>c</sub> ]	0.96	0.96	1.00	0.96
Ultimate Shear Strength (USS), [F <sub>v</sub> ]	0.95	1.00	0.99	0.95
Fasteners/Connectors	0.90	0.90	0.90	0.90

**TABLE 2—STRENGTH DESIGN FACTORS FOR PROWOOD® FR FIRE RETARDANT TREATED LUMBER COMPARED TO UNTREATED LUMBER APPLICABLE AT SERVICE TEMPERATURES UP TO 150°F (66°C) <sup>1,2</sup>**

STRENGTH DESIGN FACTORS	Southern Pine			Douglas Fir			Spruce-Pine-Fir			Other Species		
	Climate Zone			Climate Zone			Climate Zone			Climate Zone		
	1A	1B	2	1A	1B	2	1A	1B	2	1A	1B	2
Modulus of Rupture (MOR), [F <sub>b</sub> ]	0.82	0.82	0.82	0.88	0.93	0.98	0.81	0.87	0.93	0.81	0.82	0.82
Modulus of Elasticity (MOE), [E]	0.87	0.87	0.87	1.00	1.00	1.00	0.94	0.94	0.94	0.87	0.87	0.87
Work to Maximum Load (WML)	0.69	0.70	0.71	0.92	0.93	0.93	0.69	0.77	0.87	0.69	0.70	0.71
Ultimate Tensile Strength (UTS), [F]	0.70	0.84	0.96	1.00	1.00	1.00	0.81	0.90	0.97	0.70	0.84	0.96
Maximum Compressive Strength (MCS), [F <sub>c</sub> ]	0.66	0.81	0.93	0.84	0.89	0.94	0.83	0.91	0.98	0.66	0.81	0.93
Ultimate Shear Strength (USS), [F <sub>v</sub> ]	0.66	0.80	0.93	0.88	0.93	0.98	0.82	0.91	0.97	0.66	0.80	0.93
Fasteners/Connectors	0.66	0.81	0.90	0.84	0.89	0.90	0.83	0.90	0.90	0.66	0.81	0.90

<sup>1</sup> Climate Zone definitions:

Zone 1 – Minimum design roof live load or maximum ground snow load ≤ 20 psf (960 Pa)

Zone 1A – Southwest Arizona, Southeast Nevada (Area Bounded by Las Vegas-Yuma-Phoenix-Tucson)

Zone 1B – All other qualifying areas of the United States

Zone 2 – Maximum ground snow load > 20 psf (960 Pa)

<sup>2</sup> Duration of load adjustments for snow loads, 7-day (construction) loads, and wind loads as given in the *National Design Specification® for Wood Construction®* (NDS) also apply.

**TABLE 3—MAXIMUM LOADS AND SPANS FOR PROWOOD® FR FIRE RETARDANT TREATED PLYWOOD AT SERVICE TEMPERATURES FROM > 100°F (38°C) UP TO 170°F (77°C) <sup>1,2,3,4,5</sup>**

PANEL/SHEATHING THICKNESS	Span Rating for Untreated Roof/Sub-floor Sheathing	ProWood® FR Roof Sheathing Maximum Total Load (psf)				ProWood® FR Wall or Subfloor Span (Inches)
		Span (Inches)	Climate Zone			
			1A	1B	2	
<sup>15</sup> / <sub>32</sub> , <sup>1</sup> / <sub>2</sub>	32/16	24	31	47	68	16 24 (walls only)
<sup>19</sup> / <sub>32</sub> , <sup>5</sup> / <sub>8</sub>	40/20	24 32	48 27	74 42	107 60	20 20
<sup>23</sup> / <sub>32</sub> , <sup>3</sup> / <sub>4</sub>	48/24	32 48	34 15	52 23	76 34	24 24
<sup>7</sup> / <sub>8</sub>		32 48	43 19	66 29	95 42	24 24
1		32 48	58 26	88 39	127 57	24 24
<sup>1</sup> / <sub>8</sub>		32 48	73 32	111 49	161 71	24 24

<sup>1</sup> For Surface Temperatures < 100°F, use Untreated Span Ratings

<sup>2</sup> Allowable total loads are for unsanded, Structural 1 & 2 Grade plywood, manufactured with Group 1 Species, stress grade S-2 (Fb=1650 psi), one-and-two span conditions.

<sup>3</sup> For allowable live loads, subtract dead loads (assumed to be 8 psf) from total loads listed above.

<sup>4</sup> Climate Zone definitions:

Zone 1 – Minimum design roof live load or maximum ground snow load ≤ 20 psf (960 Pa)

Zone 1A – Southwest Arizona, Southeast Nevada (Area Bounded by Las Vegas-Yuma-Phoenix-Tucson)

Zone 1B – All other qualifying areas of the United States

Zone 2 – Maximum ground snow load > 20 psf (960 Pa)

<sup>5</sup> For other load conditions, contact manufacturer.

## ProWood® FR Sample Labels

 <p style="text-align: center;">Interior Type A High Temperature (HT) Fire Retardant Treated Wood <b>ESR-4373 KDAT</b></p> <p style="text-align: center;">Species Year</p> <p style="text-align: center;">Treater Name • Location</p>	<p><b>UL Classified FR-S PLYWOOD</b></p> <p>FLAME SPREAD/SMOKE DEVELOPED: 30 MINUTE TEST: 25 or less</p> <p>STD-PWFR-19</p>	 <p style="text-align: center;">Interior Type A High Temperature (HT) Fire Retardant Treated Wood <b>ESR-4373 KDAT</b></p> <p style="text-align: center;">Species Year</p> <p style="text-align: center;">Treater Name • Location</p>	<p><b>UL Classified FR-S LUMBER</b></p> <p>FLAME SPREAD/SMOKE DEVELOPED: 30 MINUTE TEST: 25 or less</p> <p>STD-PWFR-19</p>
--	---	---	--

 <p style="text-align: center;">Interior Type A High Temperature (HT) Fire Retardant Treated Wood <b>ESR-4373 KDAT</b></p> <p style="text-align: center;">Species Year</p> <p style="text-align: center;">Treater Name • Location</p>	<p><b>PLYWOOD</b></p> <p>FLAME SPREAD/SMOKE DEVELOPED: ASTM E84 30 MINUTE TEST: 25 or less</p> <p>TP Monitored (AA-696)</p> <p>STD-PWFR-19</p>	 <p style="text-align: center;">Interior Type A High Temperature (HT) Fire Retardant Treated Wood <b>ESR-4373 KDAT</b></p> <p style="text-align: center;">Species Year</p> <p style="text-align: center;">Treater Name • Location</p>	<p><b>LUMBER</b></p> <p>FLAME SPREAD/SMOKE DEVELOPED: ASTM E84 30 MINUTE TEST: 25 or less</p> <p>TP Monitored (AA-696)</p> <p>STD-PWFR-19</p>
--	--	---	---


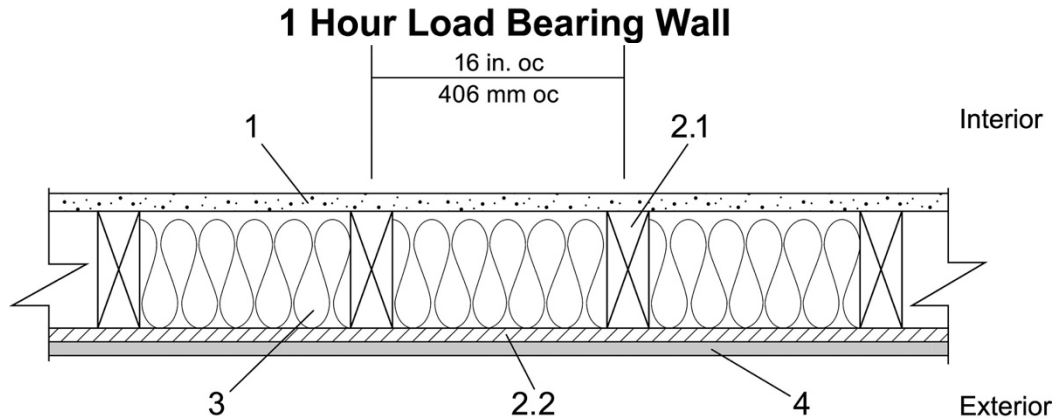
 <p style="text-align: center;">Interior Type A High Temperature (HT) Fire Retardant Treated Wood <b>ESR-4373 KDAT</b></p> <p style="text-align: center;">Species Year</p> <p style="text-align: center;">Treater Name • Location</p>	<p><b>PLYWOOD</b></p> <p>FLAME SPREAD/SMOKE DEVELOPED: ASTM E84 30 MINUTE TEST: 25 or less</p> <p>SPIB Monitored (AA-680)</p> <p>STD-PWFR-19</p>	 <p style="text-align: center;">Interior Type A High Temperature (HT) Fire Retardant Treated Wood <b>ESR-4373 KDAT</b></p> <p style="text-align: center;">Species Year</p> <p style="text-align: center;">Treater Name • Location</p>	<p><b>LUMBER</b></p> <p>FLAME SPREAD/SMOKE DEVELOPED: ASTM E84 30 MINUTE TEST: 25 or less</p> <p>SPIB Monitored (AA-680)</p> <p>STD-PWFR-19</p>
--	--	---	---

FIGURE 1—LUMBER AND PLYWOOD STAMPS



**Fire Retardant Wood ProWood® FR Lumber and Plywood**  
**ASTM E119 Rating: 1 Hour Load Bearing (2015 NDS – F 0.96 for FRWT)**  
**Rated from One Side (Interior Side Only)**

**1 Hour Rated – Interior Side Only**

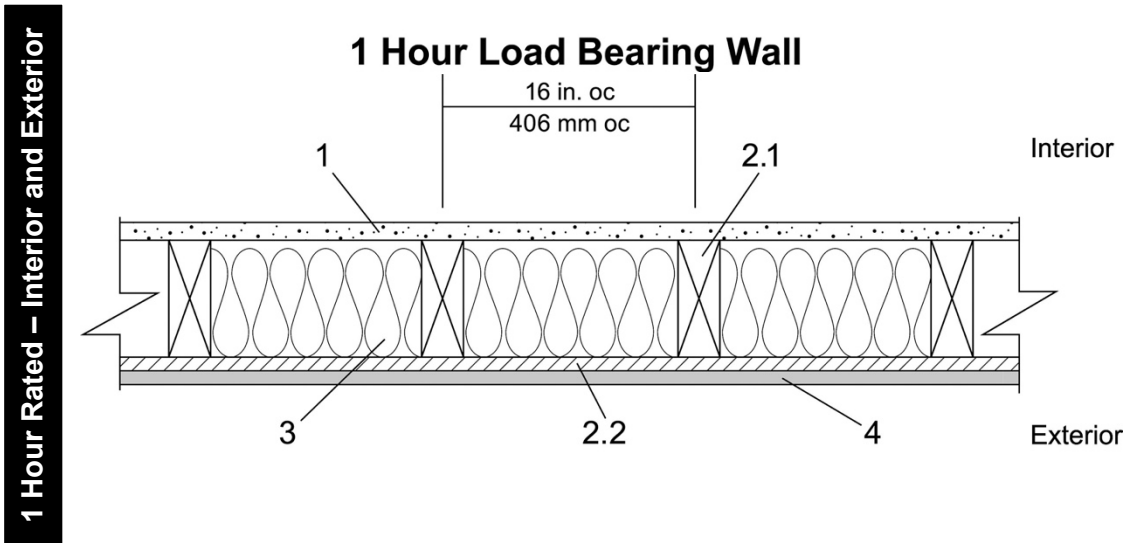


1. **Gypsum Board (Interior):** One-layer Type X, complying with ASTM C1396, minimum 5/8-inch-thick (16 mm), 4 feet (1.2 m) wide applied vertically, fastened to framing. Joints covered with paper tape and joint compound. Minimum No. 6 x 1 5/8-inches-long (41 mm) Type S or W screws spaced maximum 6 inches (152 mm) on center (o.c.) and heads covered with joint compound.
2. **Report Holder:** ProWood, LLC  
**Product:** ProWood® FR
- 2.1 **Model:** ProWood® FR Lumber  
 ProWood® FR Lumber is minimum 2 x 4 inches nominal wood studs, spaced maximum 16 inches (406 mm) o.c., or 2 x 6 inches nominal wood studs spaced 24 inches (610 mm) o.c., double top plates and single bottom plate fastened together with 16d common nails [3 1/2 inches x 0.162 inches (89 mm x 4.1 mm)], 16d box nails [3 1/2 inches x 0.135 inches (89 mm x 3.4 mm)], or 12d ring nails [3 1/4 inches x 0.135 inches (82.5 mm x 3.4 mm)].
- 2.2 **Model (Exterior):** ProWood® FR Plywood ProWood® FR Plywood, minimum 1 5/32-inch-thick (11.9 mm), applied vertically over the specified framing with minimum. 2 3/8-inch-long (60 mm), 0.113 inch (2.9 mm) diameter nails, spaced maximum 8 inches (203 mm) o.c. around the perimeter and maximum 12 inches (305 mm) o.c. in the field. Horizontal joints must be blocked.
3. **Insulation:** Fiberglass Class A batt insulation minimum 3 1/2-inch-thick (89 mm), R-13 friction fit between the studs. If 2 x 6 inches nominal wood studs are used, fiberglass batt insulation shall be min. 5 1/2-inch-thick (140 mm).
4. **Exterior Facings (Optional):** Materials installed in accordance with manufacturer's installation instructions:
  - Masonry brick veneer or concrete
  - Portland cement or synthetic stucco systems with self-furring metal lath or adhesive base coat
  - Hardboard, wood structural panel, plywood, or fiber-cement siding
  - Metal siding
  - Vinyl siding - exterior plastic

**FIGURE 2—ONE-HOUR FIRE RESISTANCE ASSEMBLY**



**Fire Retardant Wood ProWood® FR Lumber and Plywood**  
**ASTM E119 Rating: 1 Hour Load Bearing (2015 NDS – F 0.96 for FRWT)**  
**Rated from Interior and Exterior**



**1. Gypsum Board (Interior):** One-layer Type X complying with ASTM C1396, minimum 5/8-inch-thick (15.9 mm), 4 feet (1.2 m) wide applied vertically, fastened to framing. Joints covered with paper tape and joint compound. Minimum No. 6 x 1 5/8 inch (41 mm) long Type S or W screws spaced maximum 6 inches (152 mm) on center (o.c.) and heads covered with joint compound.

**2. Report Holder:** ProWood, LLC  
**Product:** ProWood® FR

**2.1 Model:** ProWood® FR Lumber

ProWood® FR Lumber is minimum. 2 x 4 inches nominal wood studs, spaced maximum 16 inches (406 mm) o.c., or 2 x 6 inches nominal wood studs spaced 24 inches (610 mm) o.c., double top plates and single bottom plate fastened together with 16d common nails [3 1/2 inches x 0.162 inches (89 mm x 4.1 mm)], 16d box nails [3 1/2 inches x 0.135 inches (89 mm x 3.4 mm)], or 12d ring nails [3 1/4 inches x 0.135 inches (83 mm x 3.4 mm)].

**2.2 Model (Exterior):** ProWood® FR Plywood ProWood Plywood, minimum 1 5/32-inch-thick (11.9 mm), applied vertically over the specified framing with minimum 2 3/8 inches long (60 mm), 0.113 inch (2.9 mm) diameter nails, spaced maximum 8 inches (203 mm) o.c. around the perimeter and maximum 12 inches (305 mm) o.c. in the field. Horizontal joints must be blocked.

**3. Insulation:** Fiberglass Class A batt insulation min. 3 1/2-inch-thick (89 mm) R-13 friction fit between the studs. If 2 x 6 inches nominal wood studs are used, fiberglass batt insulation shall be minimum. 5 1/2-inch-thick (140 mm).

**4. Exterior Facings:** Materials installed in accordance with manufacturer's installation instructions:

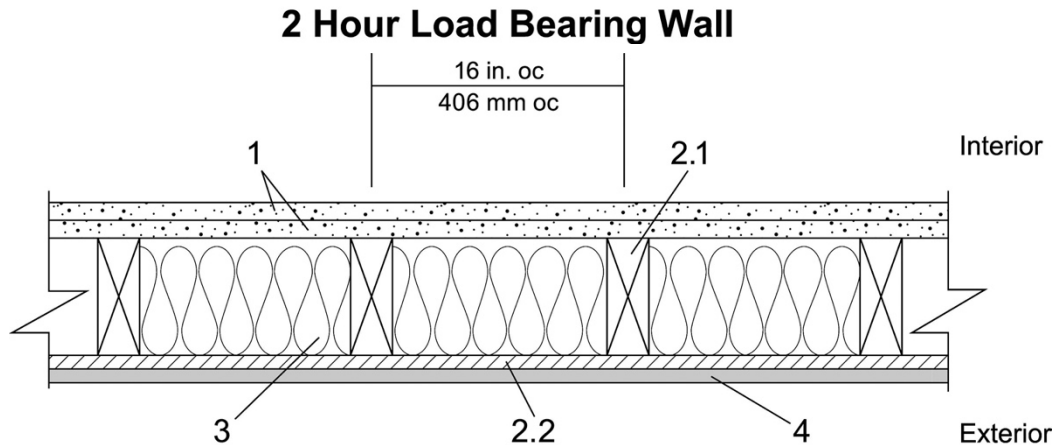
- 3/4-inch-thick (19.1 mm) cement plaster (1:4 ratio of cement to sand for scratch coat and 1:5 ratio for brown coat)
- Nominal 2.7 inch (68.5 mm) thick solid brick fastened using min. 22 GA wall ties
- Nominal 2.3 inch (58.4 mm) thick hollow brick fastened using min. 22 GA wall ties

**FIGURE 3—ONE-HOUR FIRE RESISTANCE ASSEMBLY**



**Fire Retardant Wood ProWood® FR Lumber and Plywood**  
**ASTM E119 Rating: 2 Hour Load Bearing (2015 NDS – F 0.96 for FRWT)**  
**Rated from One Side (Interior Side Only)**

**2 Hour Rated – Interior Side Only**



**1. Gypsum Board (Interior):** Two-layers Type C USG Firecode® C Core complying with ASTM C1396, minimum 5/8-inch-thick (15.9 mm), 4 feet (1.2 m) wide applied vertically, fastened to framing. Face layer joints staggered with base layer and covered with paper tape and joint compound.

**Fasteners (Not Shown):**

**Face Layer -** Minimum No. 6 x 2 inches (51 mm) long Type S or W screws spaced maximum 8 inches (203 mm) on center (o.c.) and heads covered with joint compound.

**Base Layer -** Minimum No. 6 x 1 5/8 inches (41 mm) long Type S or W screws, spaced maximum 6 inches (152 mm) o.c.

**2. Report Holder:** ProWood, LLC

**Product:** ProWood® FR

**2.1 Model:** ProWood® FR Lumber

ProWood® FR Lumber is min. 2 x 4 inches nominal wood studs, spaced maximum 16 inches (406 mm) o.c., or 2 x 6 inches nominal wood studs spaced 24 inches (610 mm) o.c., double top plates and single bottom plate fastened together with 16d common nails [3 1/2 inches x 0.162 inches (89 mm x 4.1 mm)], 16d box nails [3 1/2 inches x 0.135 inches (89 mm x 3.4 mm)], or 12d ring nails [3 1/4 inches x 0.135 inches (83 mm x 3.4 mm)].

**2.2 Model (Exterior):** ProWood® FR Plywood

ProWood® FR Plywood, min. 15/32-inch-thick (11.9 mm), applied vertically over the specified framing with minimum. 2 3/8 inches long (60.3 mm), 0.113-inch (2.9 mm) diameter nails, spaced maximum 8 inches (203 mm) o.c. around the perimeter and max. 12 inches (305 mm) o.c. in the field. Horizontal joints must be blocked.

**3. Insulation:** Fiberglass Class A batt insulation minimum 3 1/2-inch-thick (89 mm) R-13 friction fit between the studs. If 2 x 6 inches nominal wood studs are used, fiberglass batt insulation shall be minimum 5 1/2-inch-thick (140 mm).

**4. Exterior Facings (Optional):** Materials installed in accordance with manufacturer's installation instructions:

- Masonry brick veneer or concrete
- Portland cement or synthetic stucco systems with self-furring metal lath or adhesive base coat
- Hardboard, wood structural panel, plywood, or fiber-cement siding
- Metal siding
- Vinyl siding - exterior plastic

**FIGURE 4—TWO-HOUR FIRE RESISTANCE ASSEMBLY**

## pro'wood<sup>®</sup>FR

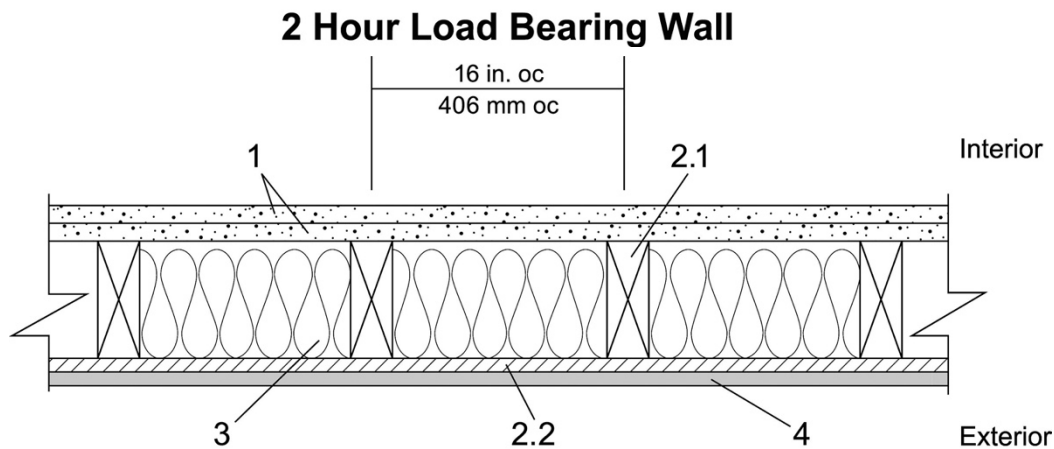
FIRE RETARDANT

### Fire Retardant Wood ProWood<sup>®</sup> FR Lumber and Plywood

ASTM E119 Rating: 2 Hour Load Bearing (2015 NDS – F 0.96 for FRWT)

Rating: 2 Hour Load Bearing from the Interior and 1 Hour Load Bearing from the Exterior

2 Hour Rated Interior & 1 Hour Rated Exterior



1. **Gypsum Board (Interior):** Two-layers Type C USG Firecode<sup>®</sup> C Core complying with ASTM C1396, minimum.  $\frac{5}{8}$ -inch-thick (15.9 mm), 4 feet (1.2 m) wide applied vertically, fastened to framing. Face layer joints staggered with base layer and covered with paper tape and joint compound.  
**Fasteners (Not Shown):**  
**Face Layer-** Minimum No.6 x 2 inches long Type S or W screws spaced maximum 8 inches (203 mm) on center (o.c.) and heads covered with joint compound.  
**Base Layer -** Minimum No.6 x  $1\frac{5}{8}$  inches (41 mm) long Type S or W screws, spaced max. 6 inches (152.4 mm) o.c.
2. **Report Holder:** ProWood, LLC  
**Product:** ProWood<sup>®</sup> FR
- 2.1 **Model:** ProWood<sup>®</sup> FR Lumber  
ProWood<sup>®</sup> FR Lumber is minimum 2x4 inches nominal wood studs, spaced maximum 16 inches (406 mm) o.c., or 2 x 6 inches nominal wood studs spaced 24 inches (610 mm) o.c., double top plates and single bottom plate fastened together with 16d common nails [ $3\frac{1}{2}$  inches x 0.162 inches (89 mm x 4.1 mm)], 16d box nails [ $3\frac{1}{2}$  inches x 0.135 inches (89 mm x 3.4 mm)], or 12d ring nails [ $3\frac{1}{4}$  inches x 0.135 inches (83 mm x 3.4 mm)].
- 2.2 **Model (Exterior):** ProWood<sup>®</sup> FR Plywood ProWood<sup>®</sup> FR Plywood, minimum  $\frac{15}{32}$ -inch-thick (11.9 mm), applied vertically over the specified framing with minimum  $2\frac{3}{8}$  inches long (60 mm), 0.113 inch (2.9 mm) diameter nails, spaced maximum 8 inches (203 mm) o.c. around the perimeter and maximum 12 inches (305 mm) o.c. in the field. Horizontal joints must be blocked.
3. **Insulation:** Fiberglass Class A batt insulation minimum.  $3\frac{1}{2}$ - inch-thick (89 mm) R-13 friction fit between the studs. If 2 x 6 inches nominal wood studs are used, fiberglass batt insulation shall be min.  $5\frac{1}{2}$ -inch-thick (140 mm) R-19.
4. **Exterior Facings:** Materials installed in accordance with manufacturer's installation instructions:
  - $\frac{3}{4}$ -inch-thick (19.1 mm) cement plaster (1:4 ratio of cement to sand for scratch coat and 1:5 ratio for brown coat)
  - Nominal 2.7 inches-thick (68.6 mm) solid brick fastened using min. 22 GA wall ties
  - Nominal 2.3 inches (58.4 mm) thick hollow brick fastened using minimum 22 GA wall ties

FIGURE 5—TWO-HOUR FIRE RESISTANCE ASSEMBLY

**DIVISION: 06 00 00—WOOD, PLASTICS AND COMPOSITES**  
**Section: 06 05 73.13—Fire-Retardant Wood Treatment**

**REPORT HOLDER:**

**PROWOOD, LLC**

**EVALUATION SUBJECT:**

**PROWOOD® FR FIRE-RETARDANT-TREATED WOOD**

## 1.0 REPORT PURPOSE AND SCOPE

**Purpose:**

The purpose of this evaluation report supplement is to indicate that Prowood® FR fire-retardant-treated wood, described in ICC-ES evaluation report ESR-4373, has also been evaluated for compliance with the codes noted below.

**Applicable code editions:**

- 2022 California Building Code (CBC)

For evaluation of applicable Chapters adopted by the California Office of Statewide Health Planning and Development (OSHPD) AKA: California Department of Health Care Access and Information (HCAI) and the Division of State Architect (DSA), see Sections 2.1.1 and 2.1.2 below.

- 2022 California Residential Code (CRC)

## 2.0 CONCLUSIONS

### 2.1 CBC:

The Prowood® FR fire-retardant-treated wood, described in Sections 2.0 through 7.0 of evaluation report ESR-4373, complies with CBC Chapter 23, provided the design and installation are in accordance with the 2021 *International Building Code*® (IBC) provisions noted in the evaluation report and the additional requirements of CBC Chapter 23, as applicable.

The products have not been evaluated under Chapter 7A for use in the exterior design and construction of new buildings located in a Fire Hazard Severity Zone within State Responsibility Areas or any Wildland–Urban Interface Fire Area.

#### 2.1.1 OSHPD:

The applicable OSHPD Sections and Chapters of the CBC are beyond the scope of this supplement.

#### 2.1.2 DSA:

The applicable DSA Sections and Chapters of the CBC are beyond the scope of this supplement.

### 2.2 CRC:

The Prowood® FR fire-retardant-treated wood, described in Sections 2.0 through 7.0 of evaluation report ESR-4373, complies with the CRC Section R802, provided the design and installation are in accordance with the 2021 *International Residential Code*® (IRC) provisions noted in the evaluation report and the additional requirements of the CRC Section R802, as applicable.

The products have not been evaluated under CRC Section R337 for use in the exterior design and construction of new buildings located in a Fire Hazard Severity Zone within State Responsibility Areas or any Wildland–Urban Interface Fire Area.

This supplement expires concurrently with the evaluation report, reissued February 2024.



**DIVISION: 06 00 00—WOOD, PLASTICS AND COMPOSITES**  
**Section: 06 05 73.13—Fire-Retardant Wood Treatment**

**REPORT HOLDER:**

**PROWOOD, LLC**

**EVALUATION SUBJECT:**

**PROWOOD® FR FIRE-RETARDANT-TREATED WOOD**

## 1.0 REPORT PURPOSE AND SCOPE

**Purpose:**

The purpose of this evaluation report supplement is to indicate that ProWood® FR Fire Retardant-Treated Wood, described in ICC-ES evaluation report ESR-4373, has also been evaluated for compliance with the codes noted below.

**Applicable code editions:**

- 2023 Florida Building Code—Building
- 2023 Florida Building Code—Residential

## 2.0 CONCLUSIONS

The ProWood® FR Fire-Retardant Treated Wood, described in Sections 2.0 through 7.0 of ICC-ES evaluation report ESR-4373, complies with the 2020 Florida Building Code—Building and Florida Building Code—Residential. The design requirements must be determined in accordance with the Florida Building Code—Building or the Florida Building Code—Residential, as applicable. The installation requirements noted in ICC-ES evaluation report ESR-4373 for the 2021 International Building Code® meet the requirements of the Florida Building Code—Building or the Florida Building Code—Residential, as applicable, with the following conditions:

Use of the ProWood® FR Fire-Retardant Treated Wood for compliance with the High-Velocity Hurricane Zone provisions of the Florida Building Code—Building or the Florida Building Code—Residential has not been evaluated, and is outside the scope of this supplemental report.

For products falling under Florida Rule 61G20-3, verification that the report holder's quality assurance program is audited by a quality assurance entity approved by the Florida Building Commission for the type of inspections being conducted is the responsibility of an approved validation entity (or the code official when the report holder does not possess an approval by the Commission).

This supplement expires concurrently with the evaluation report, reissued February 2024.

# CERTIFICATE OF COMPLIANCE

**Certificate Number** 20190306-R39836  
**Report Reference** R39836-20190305  
**Issue Date** 2019-MARCH-06

**Issued to:** UNIVERSAL FOREST PRODUCTS INC  
2801 E BELTLINE AVE NE  
GRAND RAPIDS MI 49525-9680

**This certificate confirms that  
representative samples of**

LUMBER, TREATED  
Douglas Fir, Southern Yellow Pine, Ponderosa Pine, Red  
Pine, Hem/Fir, White Fir, Western Hemlock, Alpine Fir,  
White Spruce, Lodgepole Pine, SPF, Jack Pine, Balsam Fir,  
Red Spruce, Black Spruce, Engelmann Spruce.

Have been investigated by UL in accordance with the  
Standard(s) indicated on this Certificate.

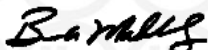
**Standard(s) for Safety:** UL 723, Surface Burning Characteristics for Building  
Materials.

**Additional Information:** See the UL Online Certifications Directory at  
<https://iq.ulprospector.com> for additional information.

This *Certificate of Compliance* does not provide authorization to apply the UL Mark. Only the UL Follow-Up  
Services Procedure provides authorization to apply the UL Mark.

Only those products bearing the UL Mark should be considered as being UL Certified and covered under UL's  
Follow-Up Services.

Look for the UL Certification Mark on the product.



Bruce Mahrenholz, Director North American Certification Program  
UL LLC

Any information and documentation involving UL Mark services are provided on behalf of UL LLC (UL) or any authorized licensee of UL. For questions, please  
contact a local UL Customer Service Representative at <http://ul.com/aboutul/locations/>



# CERTIFICATE OF COMPLIANCE

**Certificate Number** 20190306-R39833  
**Report Reference** R39833-20190305  
**Issue Date** 2019-MARCH-06

**Issued to:** UNIVERSAL FOREST PRODUCTS INC  
2801 E BELTLINE AVE NE  
GRAND RAPIDS MI 49525-9680

**This certificate confirms that  
representative samples of**

TREATED PLYWOOD  
Douglas Fir and Southern Yellow Pine plywood treated by  
pressure impregnation to reduce combustibility.

Have been investigated by UL in accordance with the  
Standard(s) indicated on this Certificate.

**Standard(s) for Safety:** UL 723, Surface Burning Characteristics for Building  
Materials.

**Additional Information:** See the UL Online Certifications Directory at  
<https://iq.ulprospector.com> for additional information.

This *Certificate of Compliance* does not provide authorization to apply the UL Mark. Only the UL Follow-Up  
Services Procedure provides authorization to apply the UL Mark.

Only those products bearing the UL Mark should be considered as being UL Certified and covered under UL's  
Follow-Up Services.

Look for the UL Certification Mark on the product.



Bruce Mahrenholz, Director North American Certification Program  
UL LLC

Any information and documentation involving UL Mark services are provided on behalf of UL LLC (UL) or any authorized licensee of UL. For questions, please  
contact a local UL Customer Service Representative at <http://ul.com/aboutul/locations/>



# CERTIFICATE OF COMPLIANCE



## Universal Forest Products, Inc. ProWood FR

136710-410

Certificate Number

30 Jan 2009 - 30 Jan 2025

Certificate Period

Certified

Status

UL 2818 - 2022 Standard for Chemical Emissions for Building Materials, Finishes and Furnishings

Wall finishes are determined compliant using an Office Environment with an air change of  $0.68 \text{ hr}^{-1}$  and a loading of  $33.40 \text{ m}^2$ .

Products tested in accordance with UL 2821 test method to show compliance to emission limits in UL 2818, Section 7.1.



*UL investigated representative samples of the identified Product(s) to the identified Standard(s) or other requirements in accordance with the agreements and any applicable program service terms in place between UL and the Certificate Holder (collectively "Agreement"). The Certificate Holder is authorized to use the UL Mark for the identified Product(s) manufactured at the production site(s) covered by the UL Test Report, in accordance with the terms of the Agreement. This Certificate is valid for the identified dates unless there is non-compliance with the Agreement.*

## GREENGUARD Certification Criteria for Building Products and Interior Finishes

Criteria	CAS Number	Maximum Allowable Predicted Concentration	Units
TVOC <sup>(A)</sup>	-	0.50	mg/m <sup>3</sup>
Formaldehyde	50-00-0	61.3 (50 ppb)	µg/m <sup>3</sup>
Total Aldehydes <sup>(B)</sup>	-	0.10	ppm
Particle Matter less than 10 µm <sup>(C)</sup>	-	50	µg/m <sup>3</sup>
4-Phenylcyclohexene	4994-16-5	6.5	µg/m <sup>3</sup>
Individual VOCs <sup>(D)</sup>	-	1/10th TLV	-

- (A) Defined to be the total response of measured VOCs falling within the C<sub>6</sub> – C<sub>16</sub> range, with responses calibrated to a toluene surrogate. Maximum allowable predicted TVOC concentrations for GREENGUARD (0.50 mg/m<sup>3</sup>) fall in the range of 0.5 mg/m<sup>3</sup> or less, as specified in CDPH Standard Method v1.2.
- (B) The sum of all measured normal aldehydes from formaldehyde through nonanal, plus benzaldehyde, individually calibrated to a compound specific standard. Heptanal through nonanal are measured via TD/GC/MS analysis and the remaining aldehydes are measured using HPLC/UV analysis.
- (C) Particle emission requirement only applicable to HVAC Duct Products with exposed surface area in air streams (a forced air test with specific test method) and for wood finishing (sanding) systems.
- (D) Allowable levels for chemicals not listed are derived from 1/10th of the Threshold Limit Value (TLV) industrial work place standard (Reference: American Conference of Government Industrial Hygienists, 6500 Glenway, Building D-7, and Cincinnati, OH 45211-4438).



# CERTIFICATE OF COMPLIANCE



## Universal Forest Products, Inc. ProWood FR

136710-420

Certificate Number

30 Jan 2009 - 30 Jan 2025

Certificate Period

Certified

Status

UL 2818 - 2022 Gold Standard for Chemical Emissions for Building Materials, Finishes and Furnishings

Building products and interior finishes are determined compliant in accordance with California Department of Public Health (CDPH) Standard Method V1.2-2017 using an Office and Classroom Environment.

Product tested in accordance with UL 2821 test method to show compliance to emission limits on UL 2818. Section 7.1 and 7.2.



*UL investigated representative samples of the identified Product(s) to the identified Standard(s) or other requirements in accordance with the agreements and any applicable program service terms in place between UL and the Certificate Holder (collectively "Agreement"). The Certificate Holder is authorized to use the UL Mark for the identified Product(s) manufactured at the production site(s) covered by the UL Test Report, in accordance with the terms of the Agreement. This Certificate is valid for the identified dates unless there is non-compliance with the Agreement.*



## GREENGUARD Gold Certification Criteria for Building Products and Interior Finishes

Criteria	CAS Number	Maximum Allowable Predicted Concentration	Units
TVOC <sup>(A)</sup>	-	0.22	mg/m <sup>3</sup>
Formaldehyde	50-00-0	9 (7.3 ppb)	µg/m <sup>3</sup>
Total Aldehydes <sup>(B)</sup>	-	0.043	ppm
4-Phenylcyclohexene	4994-16-5	6.5	µg/m <sup>3</sup>
Particle Matter less than 10 µm <sup>(C)</sup>	-	20	µg/m <sup>3</sup>
1-Methyl-2-pyrrolidinone <sup>(D)</sup>	872-50-4	160	µg/m <sup>3</sup>
Individual VOCs <sup>(E)</sup>	-	1/2 CREL or 1/100th TLV	-

- (A) Defined to be the total response of measured VOCs falling within the C<sub>6</sub> – C<sub>16</sub> range, with responses calibrated to a toluene surrogate. Maximum allowable predicted TVOC concentrations for GREENGUARD Gold (0.22 mg/m<sup>3</sup>) fall in the range of 0.5 mg/m<sup>3</sup> or less, as specified in CDPH Standard Method v1.2.
- (B) The sum of all measured normal aldehydes from formaldehyde through nonanal, plus benzaldehyde, individually calibrated to a compound specific standard. Heptanal through nonanal are measured via TD/GC/MS analysis and the remaining aldehydes are measured using HPLC/UV analysis.
- (C) Particle emission requirement only applicable to HVAC Duct Products with exposed surface area in air streams (a forced air test with specific test method) and for wood finishing (sanding) systems.
- (D) Based on the CA Prop 65 Maximum Allowable Dose Level for inhalation of 3,200 µg/day and an inhalation rate of 20 m<sup>3</sup>/day
- (E) Allowable levels for chemicals not listed are derived from the lower of 1/2 the California Office of Environmental Health Hazard Assessment (OEHHA) Chronic Reference Exposure Level (CREL) as required per the CDPH/EHLB/Standard Method v1.2 and BIFMA level credit 7.6.2 and 1/100th of the Threshold Limit Value (TLV) industrial work place standard (Reference: American Conference of Government Industrial Hygienists, 6500 Glenway, Building D-7, and Cincinnati, OH 45211-4438).



# pro<sup>o</sup>wood<sup>®</sup>FR

## FIRE RETARDANT

## 50-YEAR LIMITED WARRANTY

(United States Only)

**IMPORTANT: This is your warranty certificate. Attach your invoice and proof of purchase.**

UFP Warranty Corporation ("Warrantor") is pleased to offer this 50-year Limited Warranty to you, the installer of a ProWood® FR Lumber or plywood product (the "Product(s)").

**ATTENTION:** This Limited Warranty is only valid on Products purchased after May 1, 2019 and used in the continental United States, Alaska, and Hawaii in an interior application.

### INSTALLER COVERAGE

To qualify for this warranty, you must be the installer of the Products on real property that you own or is owned by a third party. This Limited Warranty is not transferable.

### TO IDENTIFY A PROWOOD® FR PRODUCT, LOOK FOR THE INK STAMP

It's easy to identify a Product. Simply look for the ink stamp on each Product. Make sure you retain the purchase receipt(s). In the event of a claim, it will be necessary to present this documentation for all Products that are claimed to have structurally failed.

### LIMITED WARRANTY

For a period of fifty (50) years from the date of installation, Warrantor will provide installers who use a Product in an interior application that structurally fail the reasonable cost of repair of the damaged portion of the structure incorporating the Product. This remedy is the installer's sole and exclusive remedy for any Product that structurally fails. For the purposes of this Limited Warranty, "structurally fails" means a reduction in strength below the strength properties published in ESR-4373 caused by the fire retardant chemical in the Product. For clarity, Warrantor is not liable for any structural failure not due to the fire retardant chemical in the Product, and Warrantor is not liable for any damage other than to the Product and any portion of the structure incorporating the Product due to a structural failure.

In addition, while a structure may contain fire retardant treated wood products other than the Products, this warranty does not cover structural failure of fire retardant treated wood products other than the Products.

### LIMITATIONS ON WARRANTY

Warrantor will not be required to provide warranty coverage for any Product that:

- Is installed other than in an interior application and as specified on the ink stamp;
- Is used in an unprotected exterior environment;
- Is sawn lengthwise (ripped) or surfaced (sanded/planed/etc.), except that a Product that is plywood may be ripped;
- Has been subjected to "weathering", including, but not limited to, raised grain, splitting, checking, cupping, twisting, warping, shrinkage, swelling, or any other physical or aesthetic property of the wood;
- Delaminates, including delamination of plywood and other laminated wood products;
- Has mold, mildew, or fungal growth;
- Corrodes fasteners, hardware, or any other material(s), including metal materials used, in conjunction with, or to wrap or encapsulate a Product, or structural failure resulting from such an occurrence;
- Is subjected to fire or improper or inadequate ventilation;
- Is used in any Use Category higher than AWPA UC2 (protected from weather but may be subject to sources of moisture);
- Is damaged by physical abuse, acts of God, acts of war, fire, floods (natural or plumbing failure), nature disaster, or other chemical or biological factors;
- Is damaged as a result of deterioration, defects, or failure of building components, including, without limitation, movement, distortion, collapse, or settling of the supporting structure on which the Product is installed;
- Is damaged as a result of a failure of the design of the system used in connection with the installation of the Products;
- Has not been installed in strict accordance with all applicable laws, zoning and/or building codes, and generally accepted construction practices, including, without limitation, the National Forest Product Association's National Design Specification and the American Plywood Association's Plywood Design Standard(s) (if no building codes apply, the Product must only be used and installed in applications that meet the International One and Two-Family Dwelling Code or the International Building Code in effect at the time of construction);
- Has not been approved by the building code authority having jurisdiction over the structure;
- Has not been installed in accordance with Warrantor's installation procedures;
- Has been installed in a roof application, except if (1) the roof application was designed to an industry recognized design customarily used in the construction industry, (2) the attic and/or roof assembly has not exceeded temperatures of 150°F at any time, and (3) all Products used had a minimum of 7/16" in thickness and a minimum of 4 plies;
- Has been abused or placed under or subjected to abnormal use conditions;
- Has not been handled or stored in a covered and protected manner prior to installation;
- Has been subjected to temperatures in excess of 150°F (lumber) and 170° (plywood);
- Is exposed to roof leaks;
- Is exposed to long-term cyclical heat and humidity at temperatures in excess of 150°F (lumber) and 170° (plywood) from time to time;
- Has been used, modified, or otherwise treated in any manner other than as intended by Warrantor;
- Has been installed in-ground or with soil contact;
- Has been installed where the Product is usually immersed in water;
- Has been subjected to regular or continuous contact with water;
- Has been subjected to abnormal environmental conditions, including, but not limited to, air pollution, mold, or mildew; or
- Have not been maintained in a reasonable manner.

Failure to follow any restrictions or warnings supplied with Products shall make the Limited Warranty null and void and of no further effect. Warrantor reserves the right to investigate any claim and inspect the Products for which a claim is made. Any use of the Products must be in accordance with all local zoning and/or building codes. You assume all risk and liability associated with the use of this Product. You should take all necessary steps to ensure the safety of everyone involved in the project, including, but not limited to, wearing the appropriate safety equipment. If a claim is made under this Limited Warranty on a Product that is no longer available, Warrantor reserves the right to substitute a similar product of equivalent value.



**IMPORTANT: This is your warranty certificate. Attach your invoice and proof of purchase.**

THIS WARRANTY SETS FORTH THE ENTIRE RESPONSIBILITY OF THE WARRANTOR. WARRANTOR HEREBY DISCLAIMS ANY OTHER WARRANTIES, EXPRESS OR IMPLIED, INCLUDING, WITHOUT LIMITATION, THE IMPLIED WARRANTY OF MERCHANTABILITY OR FITNESS OF THE PRODUCT FOR A PARTICULAR PURPOSE. WARRANTOR SHALL NOT BE LIABLE FOR ANY INCIDENTAL, INDIRECT, SPECIAL, OR CONSEQUENTIAL DAMAGES, INCLUDING, WITHOUT LIMITATION, LOSS OF PROFITS, LOSS OF BUSINESS, OR DELAY DAMAGES, ARISING OUT OF THE PURCHASE, USE, OR OWNERSHIP OF THE PRODUCT. PURCHASE OF THE PRODUCT IS ACCEPTANCE OF THE TERMS OF THIS WARRANTY.

**CLAIM PROCEDURE**

To make a claim under this Warranty, you must, within thirty (30) days of actual or constructive notice of damage covered by this Warranty, do the following:

1. Assemble the following information:
  - a. An itemized list of the Products that failed
  - b. Proof of Purchase of the product, as shown on the original invoice/receipt
  - c. End tag from each Product and/or a photograph or other evidence of the ink stamp from each Product
  - d. Photograph(s) and a description of the alleged defect
2. Mail the above information to: **UFP Warranty Corp.**  
Warranty Information  
2801 East Beltline Ave. NE  
Grand Rapids, MI 49525
3. Upon the request of Warrantor, you will permit Warrantor or its representatives a reasonable time to inspect the Products for which a claim has been filed. Any failure to allow such inspection will void this Limited Warranty with respect to the filed claims. In addition, if you take remedial measures (including, without limitation, not leaving the Product in its installed condition, modifying it, adjusting it, repairing it, or attempting to repair it) prior to Warrantor's inspection, then this Limited Warranty will be voided with respect to the Products for which remedial measures have been taken.
4. Warrantor, in its sole discretion, may arrange for a certified independent testing agency to conduct strength tests of the Products. If requested, samples of the Products claimed to have structurally failed must be sent to Warrantor along with proof that the Products were removed from the structure in question. If the certified independent testing agency determines that the Product has not structurally failed, installer shall be responsible for all costs related to testing. Warrantor reserves the right to conduct additional sampling and testing.
5. Subject to the terms, conditions, limitations and exclusions of this Limited Warranty, Warrantor will, within sixty (60) days from the date of receipt of notice of your claim, and upon receipt of the proper documentation (including test results), make available to you the reasonable cost of repair of the damaged portion of the structure incorporating the Products.

**Some states do not allow limitations on how long an implied warranty lasts and/or do not allow the exclusion of incidental, indirect, special, or consequential damages, so the above limitations and exclusions may not apply to you. This Warranty gives you specific legal rights, and you may have additional rights that vary from state to state.**

**THERE ARE NO OTHER WARRANTIES THAT EXTEND BEYOND THE DESCRIPTION ON THE FACE OF THIS WARRANTY.**



Safety Data Sheet  
UFP Retail, LLC.



**Section 1 - PRODUCT AND COMPANY IDENTIFICATION**

**Material Name**

Wood Treated with Fire-Retardant Materials

**Trade Names**

Prowood® FR

**Chemical Family**

Treated wood

**Product Use**

Where using wood or plywood with fire retardant properties is desired.

**Restrictions on Use**

None known.

**Details of the supplier of the safety data sheet**

<b>Company name:</b>	UFP Retail, LLC
<b>Address</b>	2801 East Beltline, NE, Grand Rapids MI 49525
<b>Telephone number</b>	616-365-1526
<b>Contact person</b>	Regulatory Compliance
<b>Emergency phone number</b>	Chemtrec 1-800-429-9300
<b>E-mail</b>	<a href="mailto:compliance@ufpi.com">compliance@ufpi.com</a>

**Section 2 - HAZARDS IDENTIFICATION**

**Classification in accordance with paragraph (d) of 29 CFR 1910.1200.**

Combustible Dust

Skin Corrosion/Irritation - Category 2

Serious Eye Damage/Eye Irritation - Category 2A

Carcinogenicity - Category 1A

Reproductive Toxicity - Category 1B

Specific target organ toxicity - Single exposure - Category 3 (Respiratory system)

**GHS Label Elements**

**Symbol(s)**



**Signal Word**

Danger

**Hazard Statement(s)**

May form combustible dust concentrations in air.

Causes skin irritation.

Causes serious eye irritation.

May cause cancer.

May damage fertility or the unborn child.

May cause respiratory irritation.

# Safety Data Sheet

UFP Retail, LLC

## Precautionary Statement(s)

### Prevention

Obtain special instructions before use.

Do not handle until all safety precautions have been read and understood.

Use only outdoors or in a well-ventilated area.

Wear protective gloves/protective clothing/eye protection/face protection.

Avoid breathing dust/fume/gas/mist/vapors/spray.

Wash thoroughly after handling.

### Response

IF exposed or concerned: Get medical advice/attention.

IF INHALED: Remove person to fresh air and keep at rest in a position comfortable for breathing.

IF IN EYES: Rinse cautiously with water for several minutes. Remove contact lenses, if present and easy to do. Continue rinsing.

IF ON SKIN: Wash with plenty of soap and water.

If skin irritation occurs: Get medical advice/attention.

Take off contaminated clothing and wash before reuse.

Call a POISON CENTER or doctor if you feel unwell.

Specific treatment (see label).

### Storage

Store in a well-ventilated place.

### Disposal

Dispose of contents/container in accordance with local/regional/national/international regulations.

### Other Hazards

None known.

## Section 3 - COMPOSITION / INFORMATION ON INGREDIENTS

CAS	Component Name	Percent
N/A	Wood/Wood dust	85-99
Proprietary	Proprietary Ingredient #1	1-4
Proprietary	Proprietary Ingredient #2	0.25-2
10043-35-3	Boric acid (H <sub>3</sub> BO <sub>3</sub> )	0.25-1
N/A	Glue solids (plywood only)	4 - 8

Depending on the additives applied to the treating solution, this wood may also contain <0.1% of mold inhibitors and/or <0.1% of a colorant. The chemical identity and/or percentage of composition is being withheld as a trade secret. Plywood produced by others is bonded with various low-formaldehyde emission bonding systems.

## Section 4 - FIRST AID MEASURES

### Inhalation

Move to fresh air. If breathing is difficult, give oxygen. Get medical attention immediately. Some species may cause allergic respiratory reactions with asthma-like symptoms in sensitized individuals.

### Skin

Take off contaminated clothing. Wash skin thoroughly with soap and water. Seek medical attention. Prolonged contact with treated wood and/or treated wood dust, especially when freshly treated at the plant, may cause irritation

# Safety Data Sheet

UFP Retail, LLC.

to the skin. Abrasive handling or rubbing of the treated wood may increase skin irritation. Some wood species, regardless of treatment, may cause dermatitis or allergic skin reactions in sensitized individuals.

## Eyes

DO NOT rub eyes. Rinse cautiously with water for several minutes. Remove contact lenses, if present and easy to do. Continue rinsing. Then get immediate medical attention.

## Ingestion

Rinse mouth. If swallowed, get medical attention.

## Most Important Symptoms/Effects

### Acute

Causes respiratory tract irritation, skin irritation, eye irritation, allergic reactions. WOOD DUST: May cause nasal dryness, irritation and mucostasis. Coughing, wheezing, sneezing, sinusitis and prolonged colds have also been reported. Depending on wood species may cause respiratory sensitization and/or irritation. Symptoms can include irritation, redness, scratching of the cornea, and tearing. May cause eczema-like skin disorders (dermatitis). Airborne treated or untreated wood dust may cause nose, throat, or lung irritation and other respiratory effects.

### Delayed

May cause cancer by inhalation. May damage fertility or the unborn child.

### Indication of any immediate medical attention and special treatment needed

Treat symptomatically. May aggravate respiratory ailments such as asthma and bronchitis.

## Section 5 - FIRE FIGHTING MEASURES

### Extinguishing Media

#### Suitable Extinguishing Media

Carbon dioxide, regular foam, dry chemical, water spray, or water fog.

#### Unsuitable Extinguishing Media

Do not scatter spilled material with high-pressure water streams.

### Special Hazards Arising from the Chemical

Combustible dust. May form combustible dust concentrations in air. Avoid generating dust; fine dust dispersed in air in sufficient concentrations, and in the presence of an ignition source is a potential dust explosion hazard. Depending on moisture content, and more importantly, particle diameter and airborne concentration, wood dust in a contained area may explode in the presence of an ignition source. Wood dust may similarly deflagrate (combustion without detonation like an explosion) if ignited in an open or loosely contained area. An airborne concentration of 40 grams (40,000 mg) of dust per cubic meter of air is often used as the LEL for wood dusts. Reference NFPA Standards- 654 and 664 for guidance.

### Hazardous Combustion Products

Oxides of carbon, oxides of nitrogen.

### Fire Fighting Measures

Wet down with water to reduce likelihood of ignition or dispersion. Move material from fire area if it can be done without risk. Avoid inhalation of material or combustion by-products. Stay upwind and keep out of low areas. Keep unnecessary people away, isolate hazard area and deny entry. The presence of the fire-retardant chemical in treated wood may reduce the flammability hazard to some extent.

### Special Protective Equipment and Precautions for Firefighters

Wear full protective firefighting gear including self-contained breathing apparatus (SCBA) for protection against possible exposure.

## Section 6 - ACCIDENTAL RELEASE MEASURES

### Personal Precautions, Protective Equipment and Emergency Procedures

Eliminate all sources of ignition. Wear personal protective clothing and equipment, see Section 8. Avoid dust generation and accumulation. Avoid dust formation. Avoid breathing dust.

# Safety Data Sheet

UFP Retail, LLC.

## Methods and Materials for Containment and Cleaning Up

Collect material in appropriate container for disposal. Avoid dispersal of dust in the air (i.e., clearing dust surfaces with compressed air). Collect using a vacuum cleaner with a HEPA filter or wet and scoop up dry spills. Dust deposits should not be allowed to accumulate on surfaces, as these may form an explosive mixture if they are released into the atmosphere in sufficient concentration. Avoid sweeping spilled dry material. If sweeping of a contaminated area is necessary, use a dust suppressant agent. Eliminate all sources of ignition. Keep unnecessary people away, isolate hazard area and deny entry.

## Environmental Precautions

Avoid release to the environment.

## Section 7 - HANDLING AND STORAGE

### Precautions for Safe Handling

Avoid breathing dust. Avoid contact with skin and eyes. Wash thoroughly after handling. Wear respiratory protection. Contaminated work clothing must not be allowed out of the workplace. Use only outdoors or in a well-ventilated area. Wear protective gloves/clothing and eye/face protection. Obtain special instructions before use. Do not handle until all safety precautions have been read and understood. Minimize dust generation and accumulation. Routine housekeeping should be instituted to ensure that dusts do not accumulate on surfaces. Avoid significant deposits of material, especially on horizontal surfaces, which may become airborne and form combustible dust clouds and may contribute to secondary explosions. Dry wood dust material is defined as having a water content less than 25% by weight. Sweep or vacuum but avoid generating dust. Avoid working with freshly treated wood. Do not burn treated wood. Gently moisten dust before it is collected. Clothing should be removed and replaced if it becomes wet due to contact with freshly treated wood.

### Conditions for Safe Storage, Including any Incompatibilities

Store in a well-ventilated place.

Store and handle in accordance with all current regulations and standards. Avoid heat, flames, sparks and other sources of ignition. Store containers in a cool, dry, well-ventilated place. Store away from incompatible materials (see Section 10, Stability and Reactivity).

### Incompatible Materials

strong oxidizing agents, reducing agents.

## Section 8 - EXPOSURE CONTROLS / PERSONAL PROTECTION

### Component Exposure Limits

<b>Wood/Wood dust</b>	N/A
ACGIH:	1 mg/m <sup>3</sup> TWA Inhalable fraction
NIOSH:	1 mg/m <sup>3</sup> TWA dust
OSHA (US):	5 mg/m <sup>3</sup> PEL (respirable dust); 15 mg/m <sup>3</sup> PEL (total fraction)
<b>Boric acid (H<sub>3</sub>BO<sub>3</sub>)</b>	<b>10043-35-3</b>
ACGIH:	2 mg/m <sup>3</sup> TWA inhalable particulate matter
	6 mg/m <sup>3</sup> STEL inhalable particulate matter

### ACGIH - Threshold Limit Values - Biological Exposure Indices (BEI)

There are no biological limit values for any of this product's components.

### Engineering Controls

# Safety Data Sheet

UFP Retail, LLC

Ventilation equipment should be explosion-resistant if explosive concentrations of material are present. Provide local exhaust or process enclosure ventilation system. Ensure that dust-handling systems (such as exhaust ducts, dust collectors, vessels, and processing equipment) are designed in a manner to prevent the escape of dust into the work area (i.e., there is no leakage from the equipment). Ensure compliance with applicable exposure limits.

## Individual Protection Measures, such as Personal Protective Equipment

### Eye/face protection

Wear safety glasses with side shields or chemical safety goggles.

### Skin Protection:

Wear appropriate work clothing.

### Respiratory Protection

If engineering controls do not maintain airborne concentrations to a negligible level, an approved respirator must be worn. A NIOSH approved air-purifying respirator with an appropriate cartridge or canister may be appropriate under certain circumstances where airborne concentrations are expected to exceed exposure limits.

### Glove Recommendations

Wear general purpose work gloves.

## Section 9 - PHYSICAL AND CHEMICAL PROPERTIES

<b>Appearance</b>	brown solid	<b>Physical State</b>	solid
<b>Odor</b>	Wood odor	<b>Color</b>	brown
<b>Odor Threshold</b>	Not available	<b>pH</b>	Not applicable
<b>Melting Point</b>	Not applicable	<b>Boiling Point</b>	Not applicable
<b>Boiling Point Range</b>	Not available	<b>Freezing point</b>	Not applicable
<b>Evaporation Rate</b>	Not applicable	<b>Flammability (solid, gas)</b>	Combustible dust
<b>Autoignition Temperature</b>	Not available	<b>Flash Point</b>	Not available
<b>Lower Explosive Limit</b>	Not available	<b>Decomposition temperature</b>	Not available
<b>Upper Explosive Limit</b>	Not available	<b>Vapor Pressure</b>	Not applicable
<b>Vapor Density (air=1)</b>	Not applicable	<b>Specific Gravity (water=1)</b>	Not available
<b>Water Solubility</b>	(Insoluble)	<b>Partition coefficient: n-octanol/water</b>	Not available
<b>Viscosity</b>	Not applicable	<b>Kinematic viscosity</b>	Not available
<b>Solubility (Other)</b>	Not available	<b>Density</b>	Not available
<b>Physical Form</b>	solid	<b>Molecular Weight</b>	Not available

### Other Information

No additional information is available.

# Safety Data Sheet

UFP Retail, LLC

## Section 10 - STABILITY AND REACTIVITY

### Reactivity

No reactivity hazard is expected.

### Chemical Stability

Stable at normal temperatures and pressure.

### Possibility of Hazardous Reactions

Will not polymerize.

### Conditions to Avoid

Avoid heat, flames, sparks and other sources of ignition. Avoid accumulation of airborne dusts. Avoid contact with incompatible materials.

### Incompatible Materials

strong oxidizing agents, reducing agents.

### Hazardous decomposition products

oxides of carbon, oxides of nitrogen, aliphatic aldehydes, Polycyclic aromatic hydrocarbons.

## Section 11 - TOXICOLOGICAL INFORMATION

### Information on Likely Routes of Exposure

#### Inhalation

May cause respiratory irritation, allergic reactions, nasal cancer. WOOD DUST: Dust may be irritating to the nose and throat. Prolonged exposure to wood dusts by inhalation has been reported to be associated with nasal and paranasal cancer. May cause nasal dryness, irritation and mucostasis. Coughing, wheezing, sneezing, sinusitis and prolonged colds have also been reported. Depending on wood species may cause respiratory sensitization and/or irritation.

#### Skin Contact

Causes irritation, allergic reactions. Skin contact with wood dusts may cause erythema, blistering, and sometimes erosion and secondary infections occur. May cause eczema-like skin disorders (dermatitis).

#### Eye Contact

Causes serious eye irritation. Symptoms can include irritation, redness, scratching of the cornea, and tearing.

#### Ingestion

Ingestion of harmful amounts is unlikely. Ingestion of dusts generated during working operations may cause nausea and vomiting. Certain species of wood and their dusts may contain natural toxins, which can have adverse effects in humans.

#### Acute and Chronic Toxicity

##### Component Analysis - LD50/LC50

The components of this material have been reviewed in various sources and the following selected endpoints are published:

##### Proprietary Ingredient #1 (Proprietary)

Oral LD50 Rat >2000 mg/kg

Dermal LD50 Rabbit >5000 mg/kg

##### Proprietary Ingredient #2 (Proprietary)

Oral LD50 Rat 5750 mg/kg

Dermal LD50 Rabbit >7940 mg/kg

##### Boric acid (H3BO3) (10043-35-3)

Oral LD50 Rat 2660 mg/kg

Dermal LD50 Rabbit >2000 mg/kg

Inhalation LC50 Rat >0.16 mg/L 4 h (no deaths occurred)

#### Product Toxicity Data

##### Acute Toxicity Estimate

# Safety Data Sheet

UFP Retail, LLC

Dermal	> 2000 mg/kg
Oral	> 2000 mg/kg

## Immediate Effects

Causes respiratory tract irritation, skin irritation, eye irritation, allergic reactions. May cause nasal dryness, irritation and mucostasis. Coughing, wheezing, sneezing, sinusitis and prolonged colds have also been reported. Depending on wood species may cause respiratory sensitization and/or irritation. Symptoms can include irritation, redness, scratching of the cornea, and tearing. May cause eczema-like skin disorders (dermatitis). Airborne treated or untreated wood dust may cause nose, throat, or lung irritation and other respiratory effects.

## Delayed Effects

May cause allergic reactions, nasal cancer. Prolonged or repeated inhalation of wood dusts may cause recurrent bronchitis. Prolonged exposure to wood dusts by inhalation has been reported to be associated with nasal and paranasal cancer. Chronic exposure to wood dusts can result in pneumonitis, and coughing, wheezing, fever and the other signs and symptoms associated with chronic bronchitis.

## Irritation/Corrosivity Data

Causes skin irritation, eye irritation, respiratory tract irritation.

## Respiratory Sensitization

Prolonged or repeated exposure may result in hypersensitivity.

## Dermal Sensitization

Repeated exposure may result in contact or sensitization dermatitis.

## Component Carcinogenicity

Wood/Wood dust	N/A
IARC:	Monograph 100C [2012]; Monograph 62 [1995] (related to Wood dust, all soft and hard woods) (Group 1 (carcinogenic to humans))
NTP:	Known Human Carcinogen (related to Wood dust, all soft and hard woods)
DFG:	Category 3B (could be carcinogenic for man; except beech and oak wood dust) (related to Wood dust, all soft and hard woods)
OSHA:	Present (related to Wood dust, all soft and hard woods)
NIOSH:	potential occupational carcinogen (related to Wood dust, all soft and hard woods)
Boric acid (H <sub>3</sub> BO <sub>3</sub> )	10043-35-3
ACGIH:	A4 - Not Classifiable as a Human Carcinogen

May cause cancer by inhalation. Untreated wood dust or saw dust: The International Agency for Research on Cancer (IARC) classifies untreated wood dust as a Group I human carcinogen. The classification is based primarily on IARC's evaluation of increased risk in the occurrence of adenocarcinomas of the nasal cavities and paranasal sinuses associated with occupational exposures of untreated wood dust. Epidemiological studies have been reported on carcinogenic risks of employment in the furniture making industry, the carpentry industry, and the lumber and sawmill industry. IARC has reviewed these studies and reports that there is sufficient evidence that nasal carcinomas have been caused by employment in the furniture-making industry where the excess risk is associated with exposure to untreated wood dust or sawdust from hardwood species. IARC concluded that epidemiological data are not



# Safety Data Sheet

UFP Retail, LLC

sufficient to make a definite assessment of the carcinogenic risk of employment as a carpenter or worker in a lumber mill or sawmill.

## Germ Cell Mutagenicity

No data available.

## Tumorigenic Data

No data available

## Reproductive Toxicity

May damage fertility or the unborn child.

## Specific Target Organ Toxicity - Single Exposure

respiratory system

## Specific Target Organ Toxicity - Repeated Exposure

No target organs identified.

## Aspiration hazard

No data available.

## Medical Conditions Aggravated by Exposure

respiratory disorders, skin disorders and allergies

## Section 12 - ECOLOGICAL INFORMATION

### Component Analysis - Aquatic Toxicity

Proprietary Ingredient #1	Proprietary
Fish:	LC50 96 h Oncorhynchus mykiss 26.5 mg/L; LC50 96 h Oncorhynchus mykiss 24.8 - 29.4 mg/L [flow-through]; LC50 96 h Pimephales promelas 3.3 mg/L; LC50 96 h Pimephales promelas 33 mg/L [static]
Boric acid (H <sub>3</sub> BO <sub>3</sub> )	10043-35-3
Invertebrate:	EC50 48 h Daphnia magna 115 - 153 mg/L EPA

### Persistence and Degradability

No data available.

### Bioaccumulative Potential

No data available.

### Mobility

insoluble in water

### Other Toxicity

No data available.

## Section 13 - DISPOSAL CONSIDERATIONS

### Disposal Methods

Dispose in accordance with all applicable regulations.

### Component Waste Numbers

The U.S. EPA has not published waste numbers for this product's components.

# Safety Data Sheet

UFP Retail, LLC

## Section 14 - TRANSPORT INFORMATION

### US DOT Information:

UN/NA #: Not regulated.

### IATA Information:

UN#: Not regulated.

### IMDG Information:

UN#: Not regulated.

### International Bulk Chemical Code

This material contains one or more of the following chemicals required by the IBC Code to be identified as dangerous chemicals in bulk.

Proprietary Ingredient #1	Proprietary
IBC Code:	Category Z (solution)

### Further information

Component Marine Pollutants This material does not contain any chemicals listed on the Hazardous Materials Table required by US DOT to be identified as a marine pollutant.

## Section 15 - REGULATORY INFORMATION

### U.S. Federal Regulations

None of this product's components are listed under SARA Sections 302/304 (40 CFR 355 Appendix A), SARA Section 313 (40 CFR 372.65), CERCLA (40 CFR 302.4), TSCA 12(b), or require an OSHA process safety plan.

### SARA Section 311/312 (40 CFR 370 Subparts B and C) reporting categories

Combustible Dust; Carcinogenicity; Reproductive Toxicity; Skin Corrosion/Irritation; Serious Eye Damage/Eye Irritation; Specific Target Organ Toxicity

### U.S. State Regulations

The following components appear on one or more of the following state hazardous substances lists:

Component	CAS	CA	MA	MN	NJ	PA
Wood/Wood dust	N/A	No	No	Yes	Yes	No

### The following statement(s) are provided under the California Safe Drinking Water and Toxic Enforcement Act of 1986 (Proposition 65):

- ⚠ **WARNING:** Drilling, sawing, sanding or machining wood products can expose you to wood dust, a substance known to the State of California to cause cancer. Avoid inhaling wood dust or use a dust mask or other safeguards for personal protection. For more information go to [www.P65Warnings.ca.gov/wood](http://www.P65Warnings.ca.gov/wood).

### Canada Regulations

#### Canadian WHMIS Ingredient Disclosure List (IDL)

Components of this material have been checked against the Canadian WHMIS Ingredients Disclosure List. The List is composed of chemicals which must be identified on MSDSs if they are included in products which meet WHMIS criteria specified in the Controlled Products Regulations and are present above the threshold limits listed on the IDL.

Boric acid (H3BO3)	10043-35-3
	1 %

# Safety Data Sheet

UFP Retail, LLC

**Component Analysis - Inventory**

**Wood/Wood dust (N/A)**

US	CA	EU	AU	PH	JP - ENCS	JP - ISHL	KR KECI - Annex 1	KR KECI - Annex 2	KR - REACH CCA	CN	NZ	MX	TW	VN (Draft)
No	No	No	No	No	No	No	No	No	No	No	No	No	No	No

**Proprietary Ingredient #1 (Proprietary)**

US	CA	EU	AU	PH	JP - ENCS	JP - ISHL	KR KECI - Annex 1	KR KECI - Annex 2	KR - REACH CCA	CN	NZ	MX	TW	VN (Draft)
Yes	DSL	EIN	Yes	Yes	Yes	Yes	Yes	No	No	Yes	Yes	Yes	Yes	Yes

**Proprietary Ingredient #2 (Proprietary)**

US	CA	EU	AU	PH	JP - ENCS	JP - ISHL	KR KECI - Annex 1	KR KECI - Annex 2	KR - REACH CCA	CN	NZ	MX	TW	VN (Draft)
Yes	DSL	EIN	Yes	Yes	Yes	Yes	Yes	No	No	Yes	Yes	Yes	Yes	Yes

**Boric acid (H3BO3) (10043-35-3)**

US	CA	EU	AU	PH	JP - ENCS	JP - ISHL	KR KECI - Annex 1	KR KECI - Annex 2	KR - REACH CCA	CN	NZ	MX	TW	VN (Draft)
Yes	DSL	EIN	Yes	Yes	Yes	Yes	Yes	No	No	Yes	Yes	Yes	Yes	Yes

**U.S. Inventory (TSCA)**

All components of this product are in compliance.

# Safety Data Sheet

UFP Retail, LLC

## Section 16 - OTHER INFORMATION

### NFPA Ratings

Health: 2 Fire: 2 Reactivity: 0

Hazard Scale: 0 = Minimal 1 = Slight 2 = Moderate 3 = Serious 4 = Severe

### Preparation Date

Issue date: 2/15/2018

Revision date: 1/20/2020

Revision number: 3

### Key / Legend

ACGIH - American Conference of Governmental Industrial Hygienists; ADR - European Road Transport; AU - Australia; BOD - Biochemical Oxygen Demand; C - Celsius; CA - Canada; CA/MA/MN/NJ/PA - California/Massachusetts/Minnesota/New Jersey/Pennsylvania\*; CAS - Chemical Abstracts Service; CERCLA - Comprehensive Environmental Response, Compensation, and Liability Act; CFR - Code of Federal Regulations (US); CLP - Classification, Labelling, and Packaging; CN - China; CPR - Controlled Products Regulations; DFG - Deutsche Forschungsgemeinschaft; DOT - Department of Transportation; DSD - Dangerous Substance Directive; DSL - Domestic Substances List; EC - European Commission; EEC - European Economic Community; EIN - European Inventory of (Existing Commercial Chemical Substances); EINECS - European Inventory of Existing Commercial Chemical Substances; ENCS - Japan Existing and New Chemical Substance Inventory; EPA - Environmental Protection Agency; EU - European Union; F - Fahrenheit; F - Background (for Venezuela Biological Exposure Indices); IARC - International Agency for Research on Cancer; IATA - International Air Transport Association; ICAO - International Civil Aviation Organization; IDL - Ingredient Disclosure List; IDLH - Immediately Dangerous to Life and Health; IMDG - International Maritime Dangerous Goods; ISHL - Japan Industrial Safety and Health Law; IUCLID - International Uniform Chemical Information Database; JP - Japan; Kow - Octanol/water partition coefficient; KR KECI Annex 1 - Korea Existing Chemicals Inventory (KECI) / Korea Existing Chemicals List (KECL); KR KECI Annex 2 - Korea Existing Chemicals Inventory (KECI) / Korea Existing Chemicals List (KECL), KR - Korea; LD50/LC50 - Lethal Dose/ Lethal Concentration; LEL - Lower Explosive Limit; LLV - Level Limit Value; LOLI - List Of Lists™ - ChemADVISOR's Regulatory Database; MAK - Maximum Concentration Value in the Workplace; MEL - Maximum Exposure Limits; MX - Mexico; Ne - Non-specific; NFPA - National Fire Protection Agency; NIOSH - National Institute for Occupational Safety and Health; NJTSR - New Jersey Trade Secret Registry; Nq - Non-quantitative; NSL - Non-Domestic Substance List (Canada); NTP - National Toxicology Program; NZ - New Zealand; OSHA - Occupational Safety and Health Administration; PEL - Permissible Exposure Limit; PH - Philippines; RCRA - Resource Conservation and Recovery Act; REACH - Registration, Evaluation, Authorisation, and restriction of Chemicals; RID - European Rail Transport; SARA - Superfund Amendments and Reauthorization Act; Sc - Semi-quantitative; STEL - Short-term Exposure Limit; TCCA - Korea Toxic Chemicals Control Act; TDG - Transportation of Dangerous Goods; TLV - Threshold Limit Value; TSCA - Toxic Substances Control Act; TW - Taiwan; TWA - Time Weighted Average; UEL - Upper Explosive Limit; UN/NA - United Nations /North American; US - United States; VLE - Exposure Limit Value (Mexico); VN (Draft) - Vietnam (Draft); WHMIS - Workplace Hazardous Materials Information System (Canada).

### Other Information

#### Disclaimer:

UFP Retail, LLC and its affiliates and assigns cannot anticipate all conditions under which this information and its product, or the products of other manufacturers in combination with its product, may be used. It is the user's responsibility to ensure safe conditions for handling, storage and disposal of the product, and to assume liability for loss, injury, damage or expense due to improper use. The information in the sheet was written based on the best knowledge and experience currently available and makes no warranty either express or implied.

## Design/System/Construction/Assembly Usage Disclaimer

- Authorities Having Jurisdiction should be consulted in all cases as to the particular requirements covering the installation and use of UL Certified products, equipment, system, devices, and materials.
- Authorities Having Jurisdiction should be consulted before construction.
- Fire resistance assemblies and products are developed by the design submitter and have been investigated by UL for compliance with applicable requirements. The published information cannot always address every construction nuance encountered in the field.
- When field issues arise, it is recommended the first contact for assistance be the technical service staff provided by the product manufacturer noted for the design. Users of fire resistance assemblies are advised to consult the general Guide Information for each product category and each group of assemblies. The Guide Information includes specifics concerning alternate materials and alternate methods of construction.
- Only products which bear UL's Mark are considered Certified.

BXUV - Fire Resistance Ratings - ANSI/UL 263 Certified for United States

BXUV7 - Fire Resistance Ratings - CAN/ULC-S101 Certified for Canada

[See General Information for Fire-resistance Ratings - ANSI/UL 263 Certified for United States Design Criteria and Allowable Variances](#)

[See General Information for Fire Resistance Ratings - CAN/ULC-S101 Certified for Canada Design Criteria and Allowable Variances](#)

**Design No. V343**

November 8, 2021

**Bearing Wall Rating — 2 Hr Rating Exposed to Fire on Interior Face**

**Bearing Wall Rating - 1 Hr Rating Exposed to Fire on Exterior Face (See Item 7)**

**Finish Rating — 53 min (Exposed to Fire on Interior Face)**

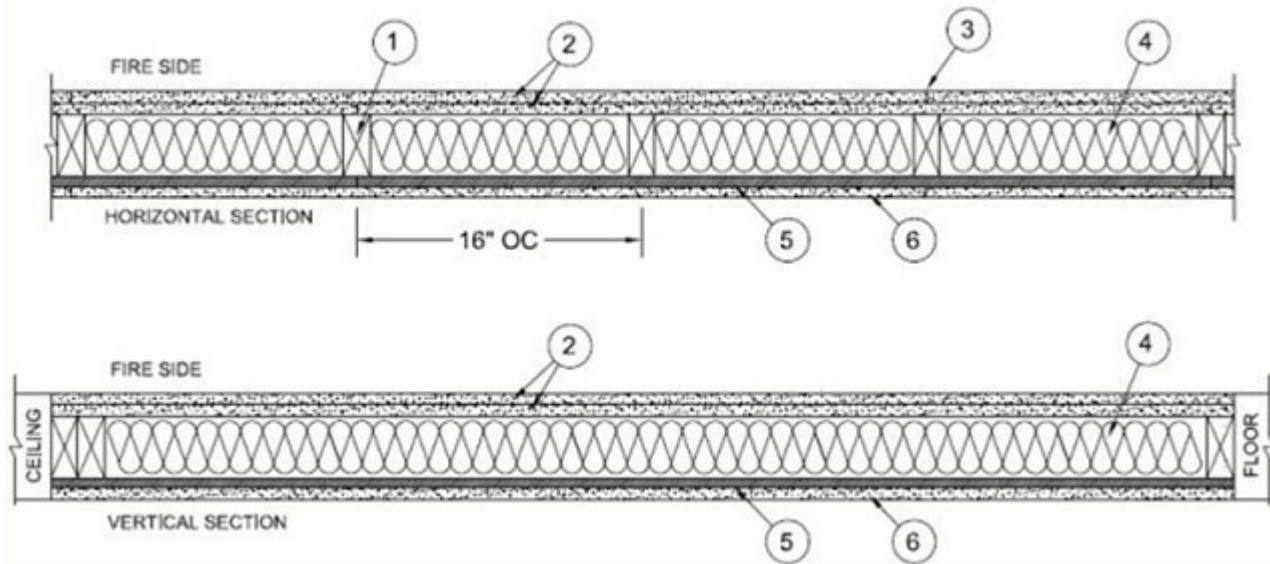
**Loaded Per 2018 NDS Supplement, ASD Method, Wall Braced Mid-Height**

\* Indicates such products shall bear the UL or cUL Certification Mark for jurisdictions employing the UL or cUL Certification (such as Canada), respectively.

## Cookies on UL Solutions

We use cookies to personalize content and ads, to provide social media features and to analyze our traffic. We also share information about your use of our site with our social media, advertising and analytics partners. [Learn more](#)

[Cookies Settings](#)[Reject All](#)[Accept All Cookies](#)



1. **Structural Wood Members\*** — Pressure-treated, fire-retardant Wood Studs - nominal 2 by 4 in., spaced 16 in. OC effectively fire-stopped. As an option, pressure-treated, fire-retardant Wood Studs nominal 2 by 6 in., spaced 24 in. OC effectively fire-stopped.

**UFP INDUSTRIES INC** — ProWood® FR treated lumber

2. **Gypsum Board\*** — Nom 5/8 in. thick, 4 ft. wide, two layers applied vertically. Base layer nailed to wood studs and bearing plates 6 in. OC. with 6d cement coated nails, 1-7/8 in. long, 0.0915 in. shank diam. and 1/4 in. diam. head. The face layer, with joints staggered from base layer, nailed to the studs and bearing plates over the base layer, 8 in. OC with 8d cement coated nails, 2-3/8 in. long, 0.113 in. shank diam. 9/32 in. diam. head.

**AMERICAN GYPSUM CO** – Type AG-C

**CERTAINTED GYPSUM INC** – Type C

**GEORGIA-PACIFIC GYPSUM L L C** – Type TG-C

**NATIONAL GYPSUM CO** - Type FSW-C

**PANEL REY S A** – Type PRC

**UNITED STATES GYPSUM CO** – Type C

3. **Joints and Nail heads** — Gypsum board joints covered with tape and joint compound. Nail heads covered with joint compound.

4. **Batts and Blankets\*** — Faced or unfaced glass fiber batts min. 3-1/2 in. thick, nom 0.8 pcf, friction fit in the wall cavity between stud, plates, and cross bracing. Insulation may be applied in multiple layers to achieve final thickness.

See **Batts and Blankets\*** (BZJZ) category for names of Classified manufacturers.

5. **Structural Wood Members\*** — Pressure-treated, fire-retardant plywood installed vertically nailed to the wood framing with 1-7/8 in. long, 6d nails, spaced 6 in. OC. on the perimeter and 12 in. OC. in the field. Vertical and horizontal joints are backed by framing. Panels provided in nominal size of 48 in. wide by 96 in. long by 15/32 in. thick.

**UFP INDUSTRIES INC** — ProWood® FR treated plywood

**6. Exterior Facings** — AS exterior facing, as authorized by the Authority Having Jurisdiction and installed in accordance with the manufacturer's installation instructions are allowed. Exterior facings may include, but are not limited to the following examples:

We use cookies to personalize content and ads, to provide social media features and to analyze our traffic.

We also share information about your use of our site with our social media, advertising and analytics partners. [Learn more](#)

6A. **Welded Plastic Siding** — Solid plastic siding, mechanically secured to framing members in accordance with the manufacturer's recommended installation details.

6B. **Brick** — Brick veneer, meeting the requirements of local code agencies. Brick veneer attached to the studs with corrugated metal wall ties attached to each stud with 8d cement coated nails, every sixth course of bricks.

6C. **Particle Board Siding** — Oriented strand board, wafer board, or hard board exterior building sidings including patterned panels.

6D. **Plywood** — American Plywood Association rated siding including T1-11 and series 303 textures, rough sawn, MDO, brushed, channel grooved, and lap siding.

6E. **Cementitious Stucco** — Portland cement or synthetic stucco systems (e.g. EIFS) with self-furring metal lath or adhesive base coat. Thickness from 3/8 in. to 3/4 in. depending on system.

6F. **Fiber Cement Siding** — Fiber Cement Lap or Vertical Siding. Minimum 5/16 in. thick, fastened to studs through the Building Units, Item 5, with nails or screws, at the locations specified by the manufacturer.

7. **Exterior Facings** — (Not Shown) — Required for 1 Hour Rating on the Exterior Face. The following exterior facing shall be installed in accordance with the manufacturer's installation instructions:

7A. **Brick** — Brick veneer, minimum thickness of 2.3 inches, meeting the requirements of local code agencies. Brick veneer attached to the studs with corrugated metal wall ties attached to each stud with 8d cement coated nails, every sixth course of bricks.

**\* Indicates such products shall bear the UL or cUL Certification Mark for jurisdictions employing the UL or cUL Certification (such as Canada), respectively.**

Last Updated on 2021-11-08

---

The appearance of a company's name or product in this database does not in itself assure that products so identified have been manufactured under UL Solutions' Follow - Up Service. Only those products bearing the UL Mark should be considered to be Certified and covered under UL Solutions' Follow - Up Service. Always look for the Mark on the product.

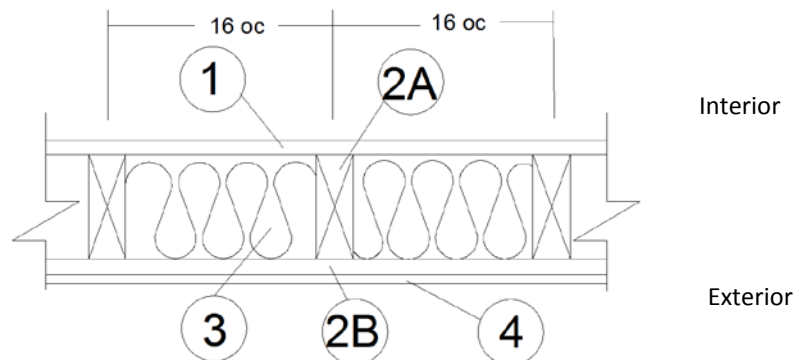
UL Solutions permits the reproduction of the material contained in Product iQ subject to the following conditions: 1. The Guide Information, Assemblies, Constructions, Designs, Systems, and/or Certifications (files) must be presented in their entirety and in a non-misleading manner, without any manipulation of the data (or drawings). 2. The statement "Reprinted from Product iQ with permission from UL Solutions" must appear adjacent to the extracted material. In addition, the reprinted material must include a copyright notice in the following format: "©2024 UL LLC."

## Cookies on UL Solutions

We use cookies to personalize content and ads, to provide social media features and to analyze our traffic. We also share information about your use of our site with our social media, advertising and analytics partners. [Learn more](#)

**UFP RETAIL, LLC**  
**Design No. UFPR/FRWT 60-02**  
**Fire Retardant Wood**  
**ProWood®FR Lumber and Plywood**  
**ASTM E119 / UL 263**

**Rating: 1 Hour Load Bearing from the Interior Only (2015 NDS - F<sub>c</sub> 0.96 for FRWT)**



**1. GYPSUM BOARD (Interior):** One layer Type X, complying with ASTM C1396, min. 5/8 in. thick, 4 ft. wide applied vertically, fastened to framing. Joints covered with paper tape and joint compound. Fasteners covered with joint compound. Min. #6 × 1-5/8 in. long Type S or W screws, spaced max. 6 in. on center (oc).

**2. CERTIFIED MANUFACTURER:** UFP Retail, LLC.

**CERTIFIED PRODUCT:** ProWood®FR

**2A. CERTIFIED MODEL:** ProWood®FR Lumber

ProWood®FR Lumber is min. 2×4 in. nominal wood studs spaced 16 in. oc, or 2×6 in. nominal wood studs spaced 24 in. oc, double top plates and single bottom plate fastened together with 16d common nails (3-1/2 in. × 0.162 in.), 16d box nails (3-1/2 in. × 0.135 in.), or 12d ring nails (3-1/4 in. × 0.135 in.).

**2B. CERTIFIED MODEL (Exterior):** ProWood®FR Plywood

ProWood®FR Plywood, min. 15/32 in. thick, is applied vertically over the specified framing with min. 2-3/8 in. long, 0.113 in. diameter nails, spaced max. 8 in. oc around the perimeter and max. 12 in. oc in the field. Horizontal joints must be blocked.

**3. INSULATION:** Cellulose, Mineral, or Fiberglass Class A R-13 batt insulation, min. 3-1/2 in. thick, friction fit between the studs. If 2×6 in. nominal wood studs are used, insulation shall be min. 5-1/2 in. thick.

**4. EXTERIOR FACINGS (Optional):** Materials installed in accordance with manufacturer’s installation instructions:

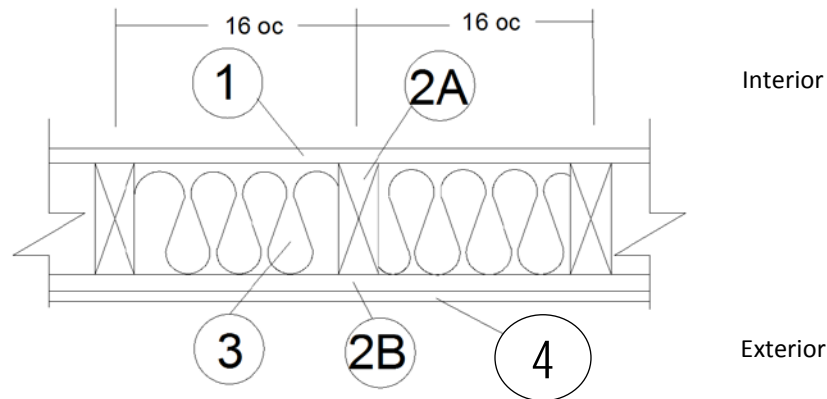
- Masonry brick veneer or concrete
- Portland cement or synthetic stucco systems with self-furring metal lath or adhesive base coat
- Hardboard, wood structural panel, plywood, or fiber-cement siding
- Metal siding
- Vinyl siding – exterior plastic

Consult the listing report on the Directory of Building Products (<https://bpdirectory.intertek.com>) for the edition of the standard(s) evaluated



**UFP RETAIL, LLC**  
**Design No. UFPR/FRWT 60-01**  
**Fire Retardant Wood**  
**ProWood®FR Lumber and Plywood**  
**ASTM E119, UL 263**

**Rating: 1 Hour Load Bearing from the Interior and Exterior (2015 NDS - F<sub>c</sub> 0.96 for FRWT)**



**1. GYPSUM BOARD (Interior):** One layer Type X, complying with ASTM C1396, min. 5/8 in. thick, 4 ft. wide applied vertically, fastened to framing. Joints covered with paper tape and joint compound. Fasteners covered with joint compound. Min. #6 × 1-5/8 in. long Type S or W screws, spaced max. 6 in. on center (oc).

**2. CERTIFIED MANUFACTURER:** UFP Retail, LLC.

**CERTIFIED PRODUCT:** ProWood®FR

**2A. CERTIFIED MODEL:** ProWood®FR Lumber

ProWood®FR Lumber is min. 2×4 in. nominal wood studs spaced 16 in. oc, or 2×6 in. nominal wood studs spaced 24 in. oc, double top plates and single bottom plate fastened together with 16d common nails (3-1/2 in. × 0.162 in.), 16d box nails (3-1/2 in. × 0.135 in.), or 12d ring nails (3-1/4 in. × 0.135 in.).

**2B. CERTIFIED MODEL (Exterior):** ProWood®FR Plywood

ProWood®FR Plywood, min. 15/32 in. thick, is applied vertically over the specified framing with min. 2-3/8 in. long, 0.113 in. diameter nails, spaced max. 8 in. oc around the perimeter and max. 12 in. oc in the field. Horizontal joints must be blocked.

**3. INSULATION:** Cellulose, Mineral, or Fiberglass Class A R-13 batt insulation, min. 3-1/2 in. thick friction fit between the studs. If 2×6 in. nominal wood studs are used, insulation shall be min. 5-1/2 in. thick.

**4. EXTERIOR:**

**INSULATION BOARD (Optional):** Materials installed in accordance with manufacturer's installation instructions:

- Foamed Plastic Boards, faced or unfaced, may or may not be bonded to ProWood®FR Plywood between Item 2B and Exterior Facings



EXTERIOR FACINGS (Optional): Materials installed in accordance with manufacturer's installation instructions:

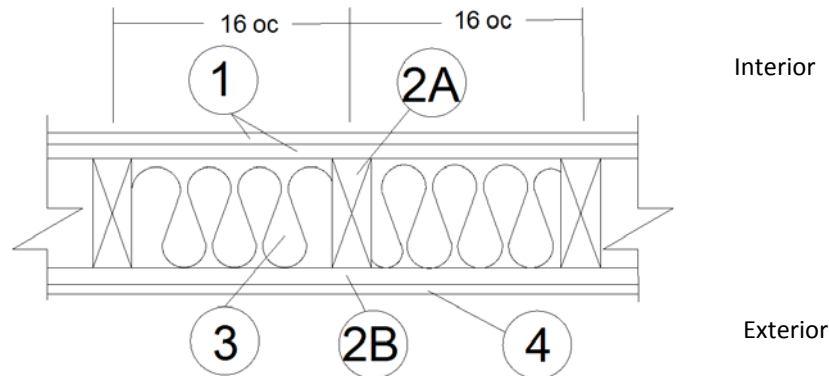
- 3/4 in. thick cement plaster (1:4 ratio of cement to sand for scratch coat and 1:5 ratio for brown coat)
- Gypsum Board Type X, complying with ASTM C1396, min 5/8-in thick, 4-ft-wide fastened to

the framing. May be installed on either side of (2B). When used fasteners for other facings must be adjusted for the additional thickness.

- Nominal 2.7 in. thick solid brick fastened using min. 22 GA wall ties
- Nominal 2.3 in. thick hollow brick fastened using min. 22 GA wall ties

*Consult the listing report on the Directory of Building Products (<https://bpdirectory.intertek.com>) for the edition of the standard(s) evaluated*

**UFP RETAIL, LLC**  
**Design No. UFPR/FRWT 120-01**  
**Fire Retardant Wood**  
**ProWood®FR Lumber and Plywood**  
**ASTM E119, UL 263**  
**Rating: 2 Hour Load Bearing from the Interior Only (2015 NDS - F<sub>c</sub> 0.96 for FRWT)**



**1. GYPSUM BOARD (Interior):** Two layers Type C Gypsum Board as listed below (1A through 1F) complying with ASTM C1396, min. 5/8 in. thick, 4 ft. wide applied vertically, fastened to framing. Face layer joints staggered with base layer and covered with paper tape and joint compound.

- A. American Gypsum Firebloc® Type C
- B. CertainTeed Saint-Gobain Type C
- C. Georgia-Pacific Gypsum Fireguard C®
- D. National Gypsum Gold Bond® Fire-Shield C™
- E. Panel Rey® Fire Rey Type C
- F. USG Sheetrock® Firecode® C

**FASTENERS (Not Shown):**

- A. FACE LAYER – Min. #6 × 2 in. long Type S or W screws spaced max. 8 in. on center (oc) and heads covered with joint compound.
- B. BASE LAYER – Min. #6 × 1-5/8 in. long Type S or W screws, spaced max. 6 in. oc.

**2. CERTIFIED MANUFACTURER:** UPF Retail, LLC

**CERTIFIED PRODUCT:** ProWood®FR

**2A. CERTIFIED MODEL:** ProWood®FR Lumber

ProWood®FR Lumber is min. 2×4 in. nominal wood studs spaced 16 in. oc, or 2×6 in. nominal wood studs spaced 24 in. oc, double top plates and single bottom plate fastened together with 16d common nails (3-1/2 in. × 0.162 in.), 16d box nails (3-1/2 in. × 0.135 in.), or 12d ring nails (3-1/4 in. × 0.135 in.).

**2B. CERTIFIED MODEL (Exterior):** ProWood®FR Plywood

ProWood®FR Plywood, min. 15/32 in. thick, applied vertically over the specified framing with min. 2-3/8 in. long, 0.113 in. diameter nails, spaced max. 8 in. oc around the perimeter and max. 12 in. oc in the field. Horizontal joints must be blocked.

**3. INSULATION:** Cellulose, Mineral, or Fiberglass Class A R-13 batt insulation min. 3-1/2 in. thick friction fit between the studs. If 2×6 in. nominal wood studs are used, insulation shall be min. 5-1/2 in. thick.



#### 4. EXTERIOR:

INSULATION BOARD (Optional): Materials installed in accordance with manufacturer's installation instructions:

- Foamed Plastic Boards, faced or unfaced, may or may not be bonded to Prowood®FR Plywood between Item 2B and Exterior Facings

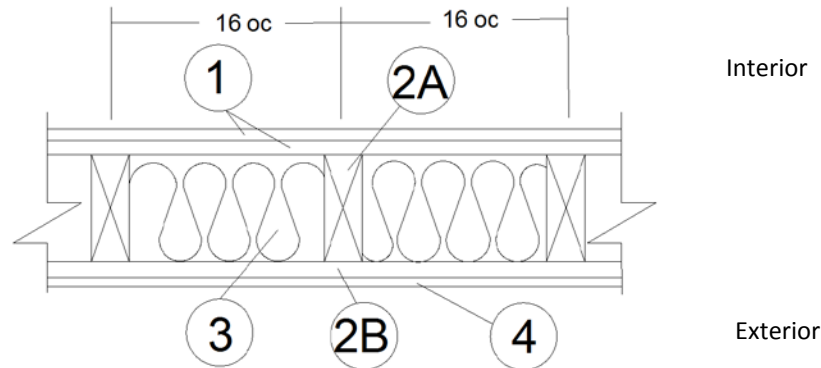
EXTERIOR FACINGS (Optional): Materials installed in accordance with manufacturer's installation instructions:

- Masonry brick veneer or concrete
- Portland cement or synthetic stucco systems with self-furring metal lath or adhesive base coat
- Hardboard, wood structural panel, plywood, or fiber-cement siding
- Metal siding
- Vinyl siding – exterior plastic

*Consult the listing report on the Directory of Building Products (<https://bpdirectory.intertek.com>) for the edition of the standard(s) evaluated*

**UFP RETAIL, LLC**  
**Design No. UFPR/FRWT 120-02**  
**Fire Retardant Wood**  
**ProWood®FR Lumber and Plywood**  
**ASTM E119, UL 263**

**Rating: 2 Hour Load Bearing from the Interior and 1 Hour Load Bearing from the Exterior**  
**(2015 NDS - F<sub>c</sub> 0.96 for FRWT)**



**1. GYPSUM BOARD (Interior):** Two layers Type C Gypsum Board as listed below (1A through 1F) complying with ASTM C1396, min. 5/8 in. thick, 4 ft. wide applied vertically, fastened to framing. Face layer joints staggered with base layer and covered with paper tape and joint compound.

- A. American Gypsum Firebloc® Type C
- B. CertainTeed Saint-Gobain Type C
- C. Georgia-Pacific Gypsum Fireguard C®
- D. National Gypsum Gold Bond® Fire-Shield C™
- E. Panel Rey® Fire Rey Type C
- F. USG Sheetrock® Firecode® C

**FASTENERS (Not Shown):**

- A. FACE LAYER – Min. #6 × 2 in. long Type S or W screws spaced max. 8 in. on center (oc) and heads covered with joint compound.
- B. BASE LAYER – Min. #6 × 1-5/8 in. long Type S or W screws, spaced max. 6 in. oc.

**2. CERTIFIED MANUFACTURER:** UFP Retail, LLC.

**CERTIFIED PRODUCT:** ProWood®FR

**2A. CERTIFIED MODEL:** ProWood®FR Lumber

ProWood®FR Lumber is min. 2×4 in. nominal wood studs spaced 16 in. oc, or 2×6 in. nominal wood studs spaced 24 in. oc, double top plates and single bottom plate fastened together with 16d common nails (3-1/2 in. × 0.162 in.), 16d box nails (3-1/2 in. × 0.135 in.), or 12d ring nails (3-1/4 in. × 0.135 in.).

**2B. CERTIFIED MODEL (Exterior):** ProWood®FR Plywood

ProWood®FR Plywood, min. 15/32 in. thick, applied vertically over the specified framing with min. 2-3/8 in. long, 0.113 in. diameter nails, spaced max. 8 in. oc around the perimeter and max. 12 in. oc in the field. Horizontal joints must be blocked.

**3. INSULATION:** Cellulose, Mineral, or Fiberglass Class A R-13 batt insulation min. 3-1/2 in. thick friction fit between the studs. If 2×6 in. nominal wood studs are used, insulation shall be min. 5-1/2 in. thick.

**4. EXTERIOR FACINGS:** Materials installed in accordance with manufacturer's installation instructions:

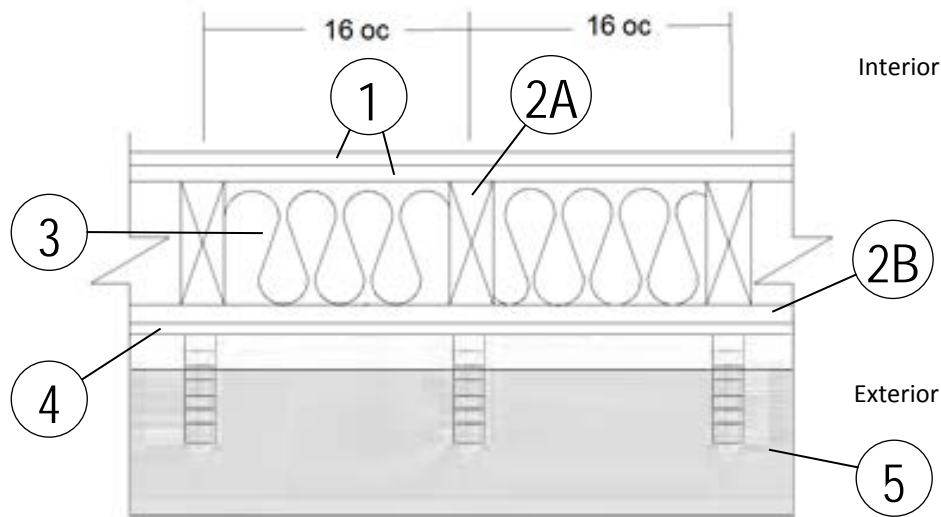


Division 06 – Wood, Plastics, and Composites  
06 05 73 Wood Treatment  
06 05 73.13 Fire-Retardant Wood Treatment

- 3/4 in. thick cement plaster (1:4 ratio of cement to sand for scratch coat and 1:5 ratio for brown coat)
- Nominal 2.7 in. thick solid brick fastened using min. 22 GA wall ties
- Nominal 2.3 in. thick hollow brick fastened using min. 22 GA wall ties

*Consult the listing report on the Directory of Building Products (<https://bpdirectory.intertek.com>) for the edition of the standard(s) evaluated*

**UFP RETAIL, LLC**  
**Design No. UFPR/FRWT 120-03**  
**Fire Retardant Wood**  
**ProWood®FR Lumber and Plywood**  
**ASTM E119, UL 263**  
**Rating: 2 Hour Load Bearing**



- 1. GYPSUM BOARD (Interior):** Two layers Type X complying with ASTM C1396 min. 5/8 in. thick, 4 ft. wide applied vertically, fastened to framing. Face layer joints staggered with base layer and covered with paper tape and joint compound.

**FASTENERS (Not Shown):**

- A. FACE LAYER** – Min. #6 × 2 in. long Type S or W screws spaced max. 8 in. on center (oc) and heads covered with joint compound.
- B. BASE LAYER** – Min. #6 × 1-5/8 in. long Type S or W screws, spaced max. 6 in. oc.

- 2. CERTIFIED MANUFACTURER:** UFPR Retail, LLC

**CERTIFIED PRODUCT:** ProWood®FR

**2A. CERTIFIED MODEL:** ProWood®FR Lumber

ProWood®FR Lumber is min. 2×4 in. nominal wood studs spaced 16 in. oc, or 2×6 in. nominal wood studs spaced 24 in. oc, double top plates and single bottom plate fastened together with 16d

common nails (3-1/2 in. × 0.162 in.), 16d box nails (3-1/2 in. × 0.135 in.), or 12d ring nails (3-1/4 in. × 0.135 in.).

**2B. CERTIFIED MODEL (Exterior):** ProWood®FR Plywood

ProWood®FR Plywood, min. 15/32 in. thick, applied vertically over the specified framing with min. 2-3/8 in. long, 0.113 in. diameter nails, spaced max. 8 in. oc around the perimeter and max. 12 in. oc in the field. Horizontal joints must be blocked.

- 3. INSULATION:** Fiberglass Class A batt insulation min. 3-1/2 in. thick R-13 friction fit between the studs. If 2×6 in. nominal wood studs are used, fiberglass batt insulation shall be min. 5-1/2 in. thick.

- 4. GYPSUM BOARD (Exterior):** One layer Type X complying with ASTM C1396 min. 5/8 in. thick, 4 ft. wide applied vertically, fastened to framing.



Face layer joints staggered with base layer and covered with paper tape and joint compound. Fasteners covered with joint compound. Min. #6 x 2 in. long Type 2 or W screws, spaced max 6 in. oc.

nails, 2-3/8-in. long, 0.113-in. shank, 9/32-in. head, at every 6<sup>th</sup> course of bricks.

- 5. EXTERIOR FACING:** Materials installed in accordance with manufacturer's installation instructions:

2-1/4-in. x 3-3/4-in. clay faced brick with cored holes fastened using minimum 20 GA galvanized wall ties attached to each stud with 8d coated

*Consult the listing report on the Directory of Building Products (<https://bpdirectory.intertek.com>) for the edition of the standard(s) evaluated*