

WASHER TOSS GAME BOX

With ProWood® Professional Grade pressure-treated lumber, you can easily build two washer toss game boxes and expand your outdoor activities. This plan includes a list of materials and instructions to build a complete pair.

Materials

For two 18" x 18" game boards:

- One 4' x 8' x 1/2" ProWood® pressure-treated plywood (dry) or untreated wood
- Two 2" x 4" x 8' ProWood® pressure-treated boards (dry) or untreated wood
- One box of 3" #8 galvanized all-purpose screws
- One box of 1-5/8" #8 galvanized all-purpose screws
- Exterior wood glue
- Exterior construction adhesive
- Two 15" x 15" low-pile indoor/outdoor carpeting squares
- Two 4" dia. Sch. 40 PVC pipe connectors
- Eight 1" ID x 2-1/2" OD stainless steel or galvanized washers

Optional:

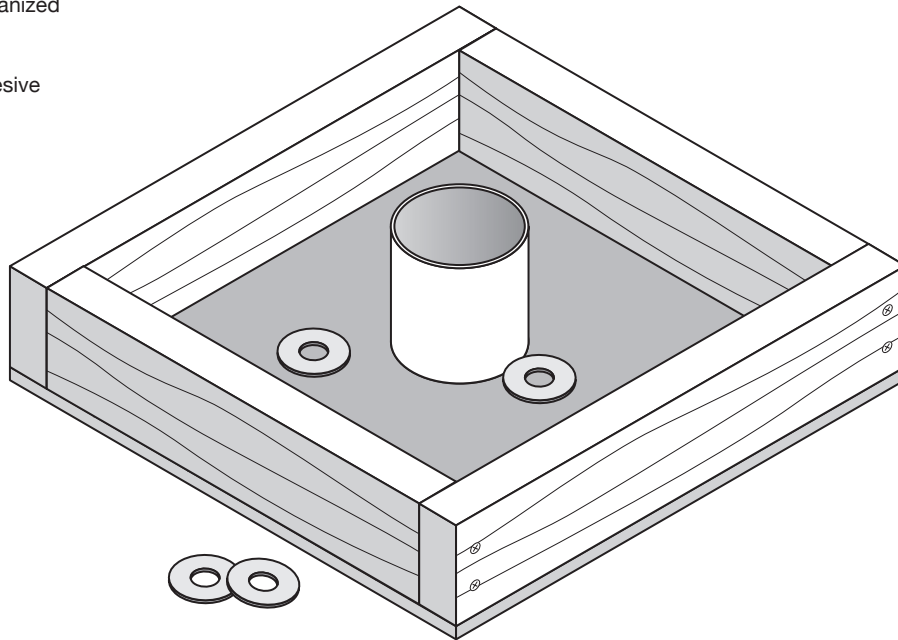
- Wood putty
- One quart of quality exterior stain and sealer or primer and paint
- Two small cans of bright exterior spray paint

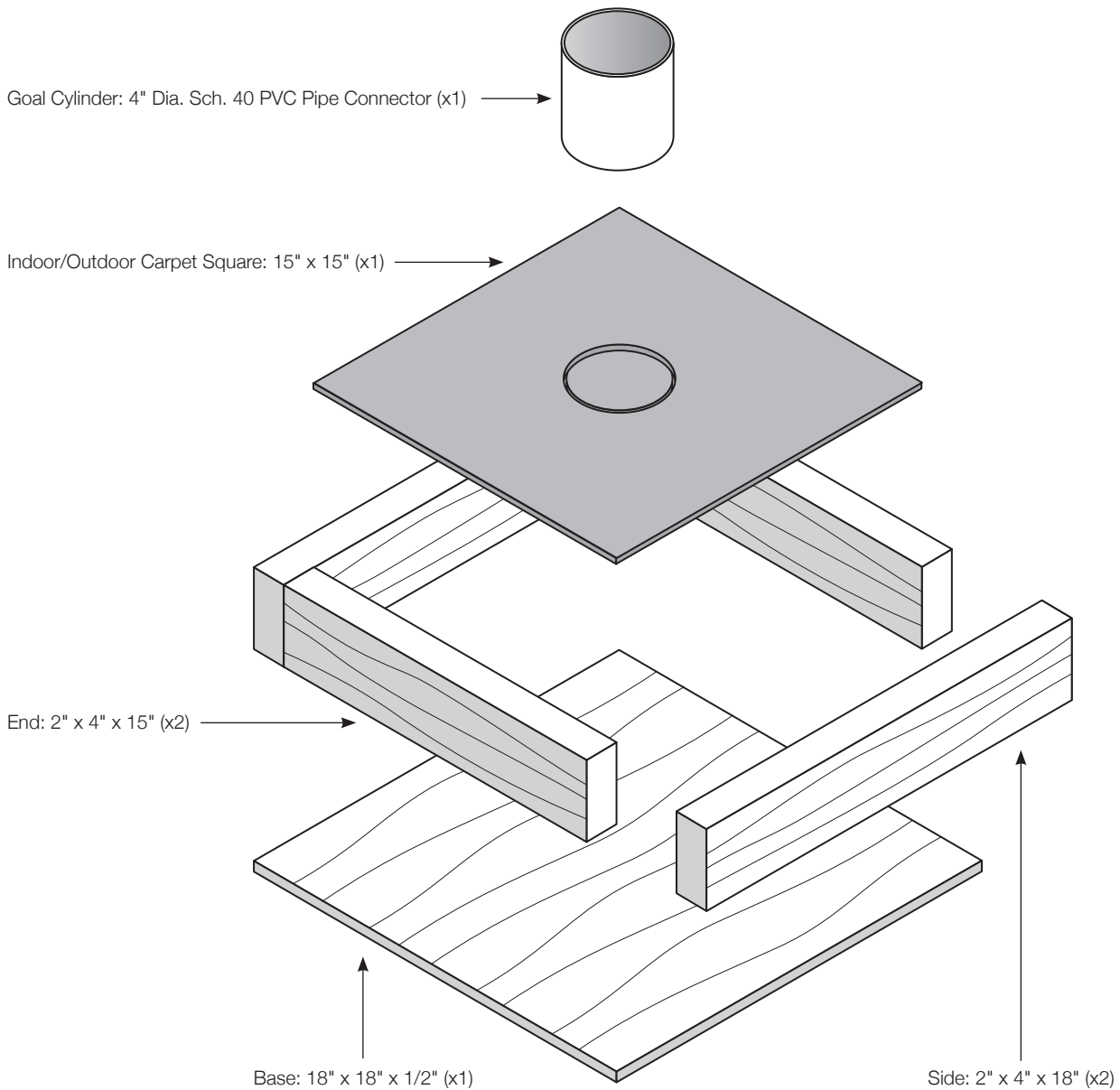
Basic Tools

- Circular or table saw
- Drill and 1/8" drill bit
- Countersink bit
- Screwdriver (or power drill with screwdriving bit)
- Utility knife
- Tape measure
- Carpenter's square

Optional:

- Putty knife
- Assorted sandpaper (coarse, medium and fine grit)
- Paint or stain brush





Cut Lumber to Size

Caution: Always wear gloves, a dust mask and eye protection when sawing, sanding or machining wood.

Using a circular or table saw on a clean, flat, level surface, cut the ProWood® pressure-treated wood for the components of the washer toss game boxes as follows:

- Base: One 18" x 18" x 1/2"
- Sides: Two 2" x 4" x 18"
- Ends: Two 2" x 4" x 15"

General Assembly Advice

- Establish a screw pattern to enhance the overall look and feel of the final assembled product.
- Pre-drill all screw holes to ease the insertion of screws into the wood and prevent splitting.
- Countersink all screws so the head of a countersunk screw, when screwed into the hole, will sit flush with or below the surface of the surrounding material.

Fig. 1

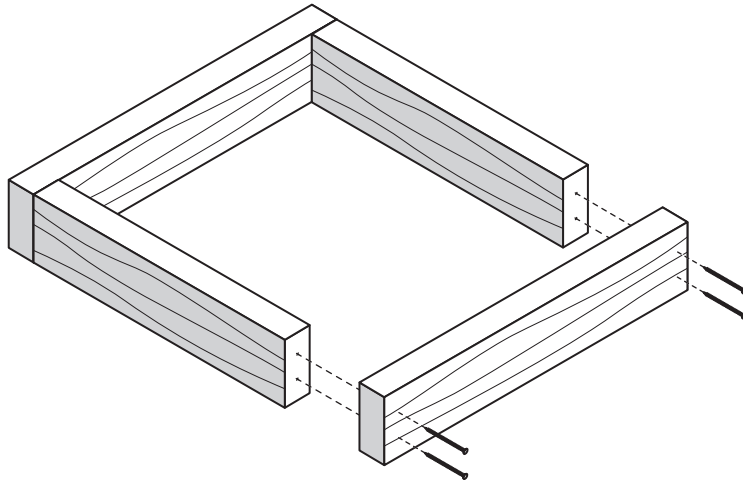


Fig. 2

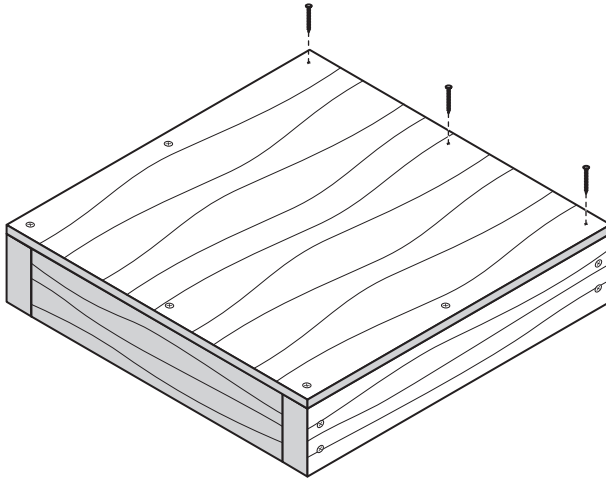


Fig. 3

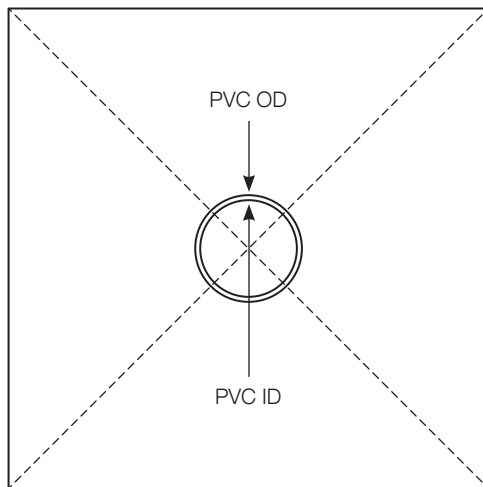


Fig. 4

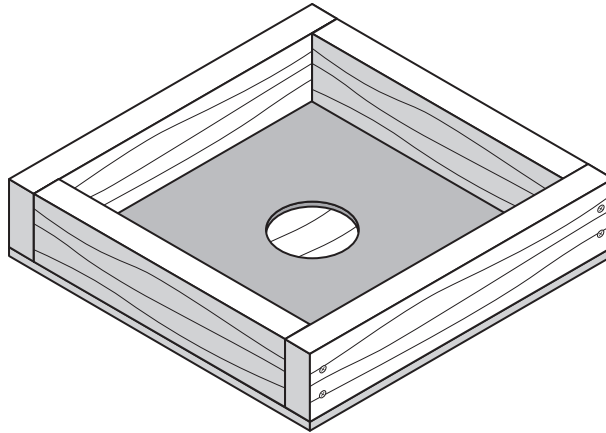
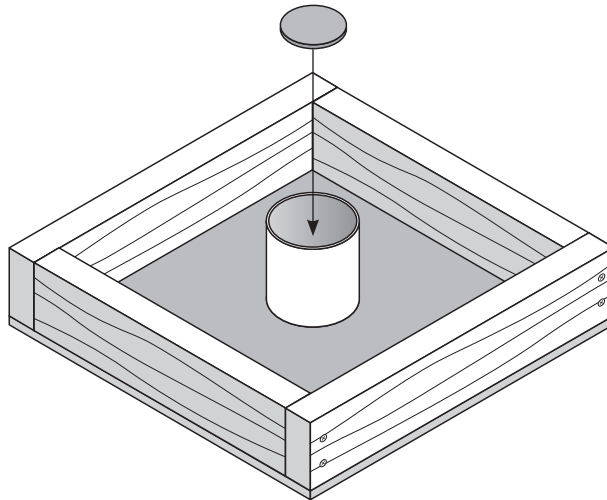


Fig. 5



Assemble the Frames

Refer to Fig. 1 illustration on page 3.

- Select and position two 2" x 4" x 18" side boards and two 2" x 4" x 15" end boards in order to form a perfect square. The 15" end boards need to be positioned between (inside) the two 18" side boards.
- Make sure all four corners are flush and square. Attach the side boards to the end boards using 3" #8 galvanized all-purpose screws and exterior wood glue.
- Repeat the above directions to assemble the second frame.

Attach the Bases to the Assembled Frames

Refer to Fig. 2 illustration on page 3.

- Select one base and lay it on top of an assembled frame. Make sure the "best side" of the base is facing inward.
- Align and flush the base along the top outer edge of the frame.
- Attach the base to the top of the frame using 1-5/8" #8 galvanized all-purpose screws and wood glue.
- Repeat the above directions to attach the second base to the other assembled frame.

Cut the Carpet Squares

Refer to Fig. 3 illustration on page 3.

- Flip one carpet square face-down. Use a straight edge and marker to trace two diagonal lines connecting the opposite corners. This will mark the center of the carpet square.
- Trace the PVC pipe connector onto the center of the backside of the carpet. Center it according to the drawn "X" in the previous step and use a marker to trace both the inside and the outside of the pipe onto the carpet.
- Use a utility knife and cut the traced areas out of the carpet. First cut the smaller circle out of the carpet and set it aside as it will be used later. Then, cut the remaining larger circle out of the carpet.
- Repeat the above directions to cut the second carpet square.

Attach the Carpet and Goal Cylinders

Refer to Figs. 4 and 5 illustrations on page 4.

- Loosely assemble the carpet and PVC pipe connector inside the wooden box to test the fit.
- First, place the carpet right-side-up in the box to make sure it fits snugly within the square frame. Then place the PVC pipe connector in the center of the carpet.
Tip: The connector may need to be twisted back and forth a few times as it's pressed into the hole (or even lift the carpet and insert it from the back side to get it all the way through).
- Finally, insert the saved inner circle of carpet into the center of the PVC pipe connector. Make any adjustments as necessary, then remove the carpet pieces and PVC pipe connector.
- Use construction adhesive and glue the carpet and PVC pipe connector to the inside of the wooden box in the same order in which you test-assembled the pieces. Let the glue set for the amount of time recommended by the adhesive manufacturer.
- Repeat the above directions to cut and attach the second carpet square and PVC pipe connector to the second wooden box.

Finish the Assembled Game Boxes

- Use a putty knife and apply exterior wood putty to all countersunk holes.
- When putty has dried, use coarse, medium and fine grit sandpaper to smooth and debur all surfaces.
- To preserve the final game boxes, apply a quality exterior stain and sealer or primer and paint.

Paint the Washers

- Separate the eight washers into two sets of four washers.
- Spray paint both sides of each set with a different bright color (for ease of scoring).

Play the Washer Toss Game

- Place finished washer toss game boxes (or "pits") 25' apart (measuring from the centers of the goal cylinders). This distance may be reduced for younger players.
- The game may be played between 2-4 players. If playing with four players, each member of a two-person team stands opposite of each other alongside opposing pits.
- Each player plays with four washers of the same color.
- Taking turns, and standing alongside one pit, each player throws their four washers towards the opposite pit.
- The overall goal of the game is to be the first player (or team) to reach 21 points. Score 1 point for landing a washer in the pit; score 3 points for landing a washer inside the goal cylinder; and score 0 points for any washer landing outside the pit. If a washer ends up on top of any edges of the washer box, that player or team automatically wins the game!

Clean, odorless, nonstaining and nonirritating, ProWood MCA (micronized copper azole) treated lumber is safe for humans, animals and the environment. The process we use to treat has gained Environmentally Preferable Product (EPP) status as certified by Scientific Certification Systems (SCS), a third-party certification services and standards development company. The preservative in ProWood MCA treated lumber has earned NAHB's Green Approved Product Certification and the GREENGUARD Children & Schools Certification.



This document is for illustration purposes only. Use of this product must be in accordance with all local zoning and/or building codes. Consumer assumes all risks and liability associated with the use of this product. For details on safe handling, go to UFPI.com/ptinfo. Warrantor does not provide any warranty, either express or implied, and shall not be liable for any damages, including consequential damages. 7094 08/15